

Sitaleicht.
Siphonic drainage.



SD

leicht entwässern.

SD

for Siphonic drainage:

Drainage at full capacity!

Do you have particularly large roof areas on industrial, free-standing buildings? And you have a need for great space inside them? In that case siphonic drainage is the ideal system for you. Fewer ground pipelines are required for it - which means that almost no earthworks are needed. The drainage takes place internally in full, minimising the number of fall pipes - thus saving space overall.

1

Why siphonic drainage?

06 The principle of siphonic drainage.

2

Products

08 **Decision matrix** Regulations

10 **SitaDSS Profi**

12 Product details

27 Installation examples



30 **SitaDSS Fireguard**

32 Product details

38 Installation examples



40 **SitaDSS Ravana**

42 Product details

46 Installation examples



48 **SitaDSS Ravana Plus**

50 Product details

52 Installation examples



54 **SitaDSS Multi**

56 Product details

68 Installation examples



70 Sita's excellent performance

71 Connecting sleeves

3

Sitaleicht

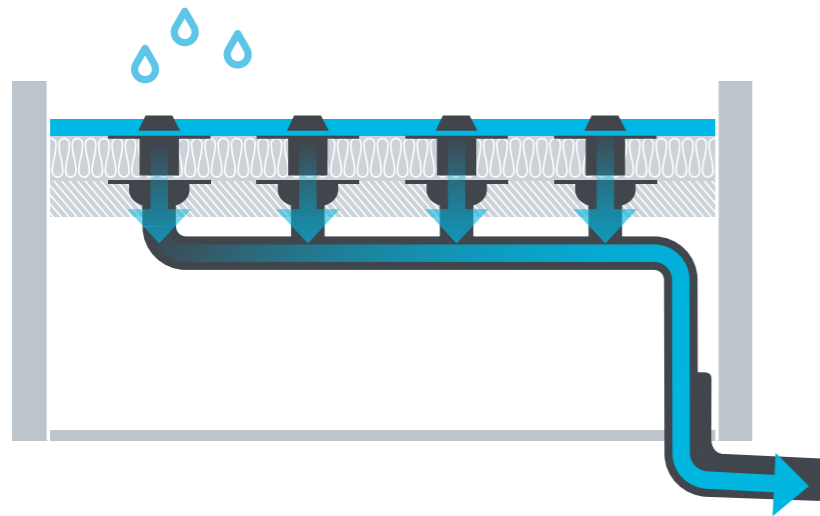
74 Sita product range

76 Sita contacts

Flexible with more room for economics.

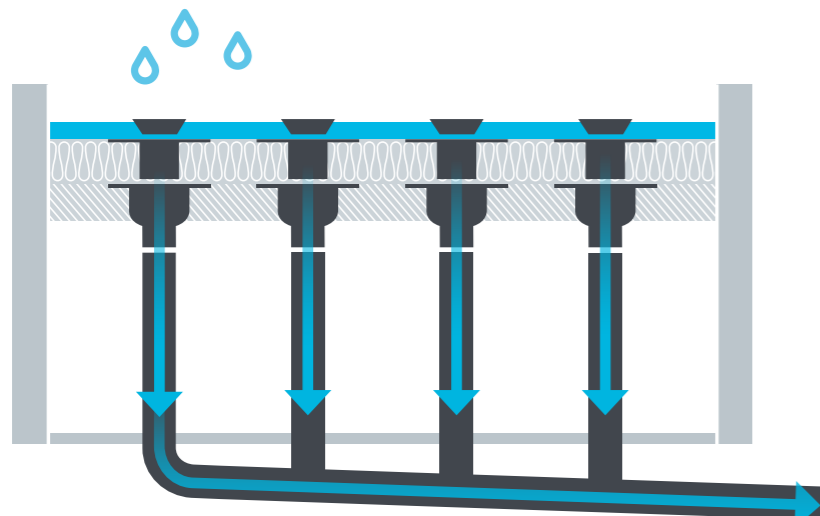
Sita frees space. Siphonic drainage is internal and horizontal - with a 0° gradient. This is an important architectural benefit - because the lack of gradient means it needs less space. There is almost no need for ground pipelines and therefore earthworks. Sita will supply your production plants and warehouses with a complete rainwater drainage system tailored to their requirements.

Less is more: Siphonic drainage from Sita



- + Pipeline system; installed completely filled/with no gradient
- + Small pipe sizes
- + Low number of fall pipes
- + Minimal work required for ground pipes and therefore very small amount of earthworks

The traditional system: conventional drainage from Sita



- + Pipeline system; installed partly filled / with a gradient
- + High discharge volume from rainwater outlets due to bowl-shaped outlet bodies
- + Layout of an emergency drainage system
- + Extensive network of ground pipes
- + Designed low point drainage



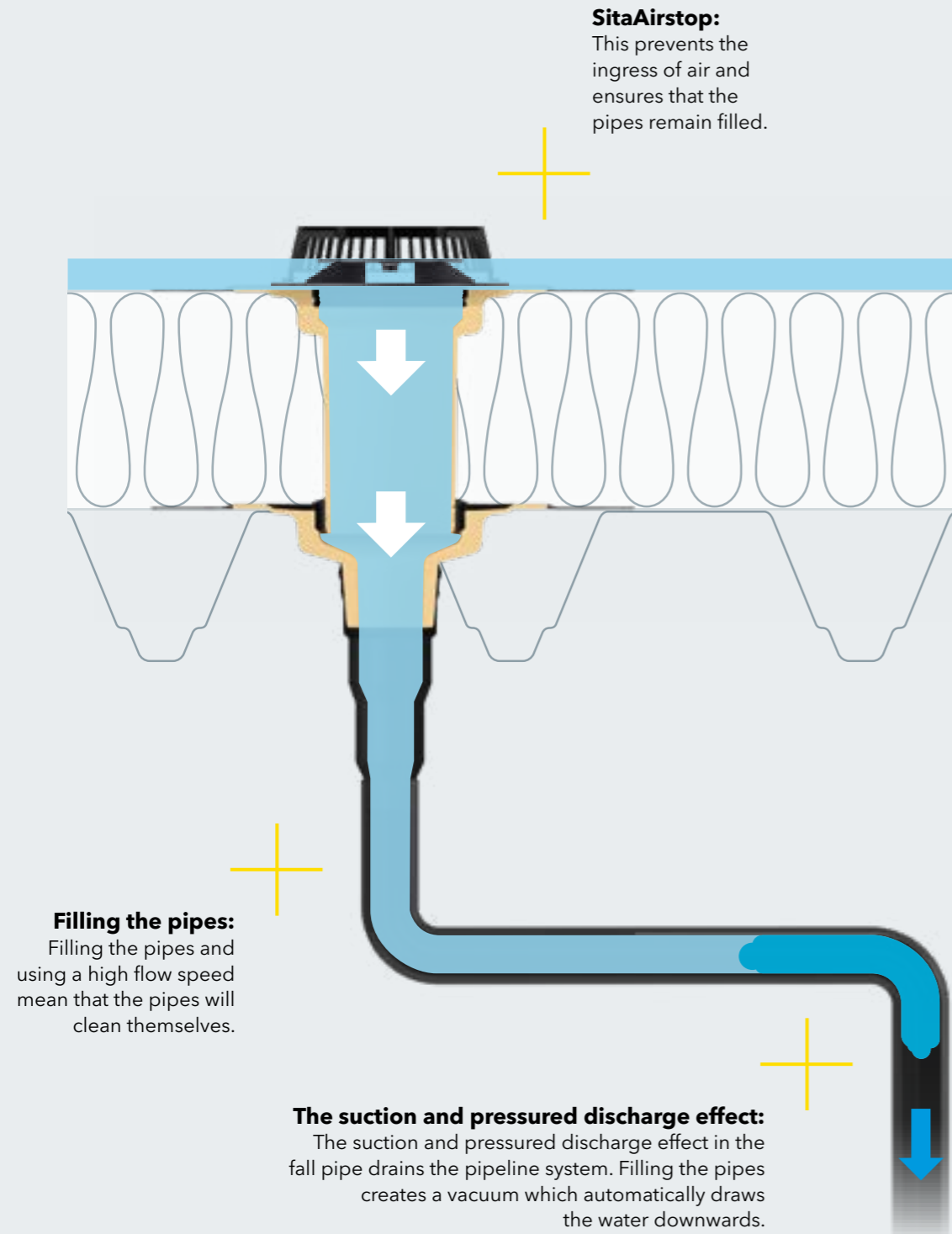
Lars Heiderson
ARCHITECT

Everything worked out perfectly by Sita. Smartly solved - a great service!

Highly complex challenge? Easily calculated with Sita.

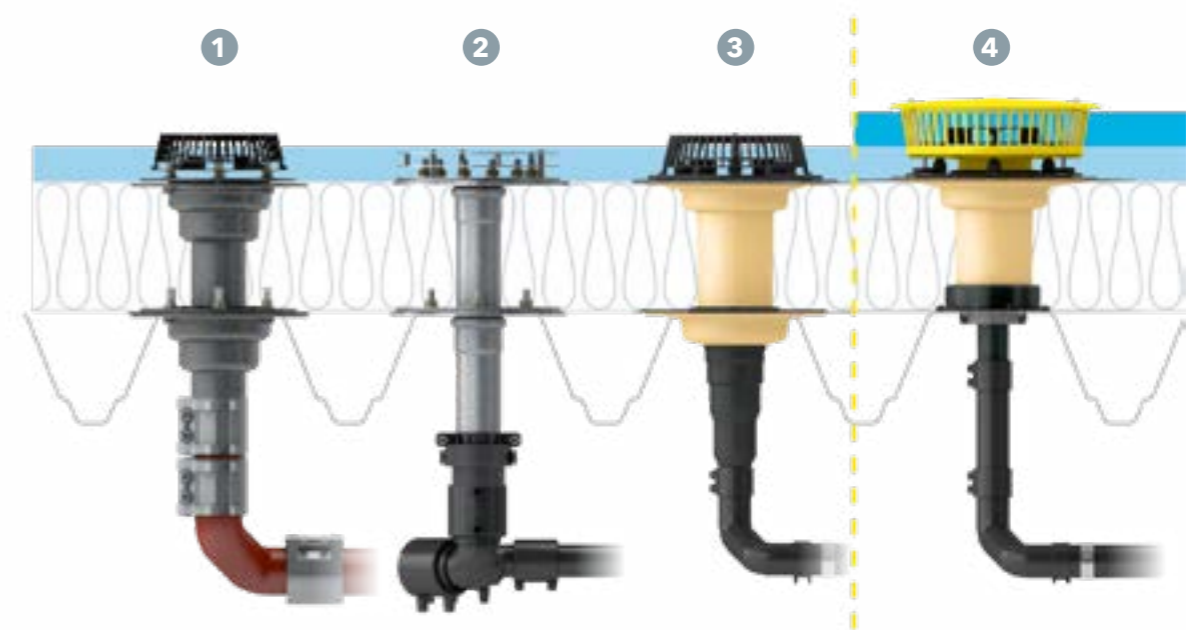
Sita solves problems. Sita's calculation service is an elementary aid and a great starting point for your project. On the basis of your specifications, Sita calculates precisely how the siphonic drainage system - covering the rainwater outlet, pipe and fastening system - has to be designed for the particular location and the individual building type. Even if the requirements are very complex. [See page 8 for DIN standards and regulations.](#)

The principle of siphonic drainage.



The Sita siphonic drainage system (A-C). The Sita siphonic drainage system already collects the rainwater under the roof structure and feeds it quickly into the ground pipes through a small number of fall pipes. Sita supplies all the components to install the drainage system efficiently and expertly. The pipeline system's shaped parts are perfectly tailored to each other and lead the water off the roof.






Sita can provide a wide range of solutions - one or two-part
 1 SitaDSS Multi, 2 SitaDSS Ravana, 3 SitaDSS Profi screw-on flange,
 4 SitaFiresafe with SitaDSS Profi and SitaDSS Profi retaining element



An easy decision.

Matrix

Matrix

Type of drainage	Integrated selected connection sleeve	Loose-fixed flange construction	Direct connection to SML pipes	Direct connection to PE pipes	Main drainage	Emergency drainage	Material	
Siphonic drainage	<input checked="" type="radio"/>	<input checked="" type="radio"/>		<input checked="" type="radio"/>	<input checked="" type="radio"/>	<input checked="" type="radio"/>	Polyurethane	
Siphonic drainage	<input checked="" type="radio"/>	<input checked="" type="radio"/>		<input checked="" type="radio"/>	<input checked="" type="radio"/>	<input checked="" type="radio"/>	Polyethylene, Polyurethane	
Siphonic drainage		<input checked="" type="radio"/>		<input checked="" type="radio"/>	<input checked="" type="radio"/>	<input checked="" type="radio"/>	Stainless steel	
Siphonic drainage				<input checked="" type="radio"/>	<input checked="" type="radio"/>	<input checked="" type="radio"/>	Stainless steel	
Siphonic drainage		<input checked="" type="radio"/>	<input checked="" type="radio"/>		<input checked="" type="radio"/>	<input checked="" type="radio"/>	Cast iron	

Regulations and standards

The following standards and regulations, among others, must be taken into consideration when planning and installing flat roof drainage systems.

DIN EN 12056-3

Gravity drainage systems inside buildings

DIN EN 752

Drain and sewer systems outside buildings

DIN 1986-100

Drainage systems for buildings and properties

DIN 18531-1 to 5

Waterproofing membranes

DIN EN 1253-2

Roof outlets and floor drains outlets without drain trap

DIN 18234

Fire protection for large roof areas

LAR Guideline

Fire protection requirements for pipe systems

ZVSHK Plumbing Handbook

Pipeline construction

DDH regulation

Regulations for roofs with waterproofing membrane

FLL Guideline

For planning, building and maintaining roof greenings

Industrial Construction Guideline

Guideline for fire protection in industrial buildings

SitaDSS Profi

Low weight. Timeless look.



Click here for
the website!



- + For direct connection to PE pipes and the SitaPipe stainless steel pipe system
- + High discharge rate
- + Simple installation due to few single parts
- + Can be used universally
- + With connection sleeve of choice or screw-on flange construction



SitaDSS Profi
with Airstop



SitaDSS Profi
without Airstop



SitaDSS Profi
Screw-on flange
with Airstop



SitaDSS Profi
Screw-on flange
without Airstop



SitaDSS Profi
Extension unit



SitaDSS Profi
Screw-on flange
Extension unit



SitaDSS Profi
Retaining element



SitaDSS Profi
Insulating body for
extension element



SitaMore
Pipe sleeve heating



SitaMore
Reinforcement plate



SitaMore
Fire protection sleeve

SitaDSS Profi

Product features at a glance

Product features

Applications	For main and emergency drainage to DIN EN 12056-3 and DIN 1986-100 for large used and unused flat roofs
Material	Polyurethane
Design	Vertical
Temperature resistance, min.	-40 °C
Temperature resistance, max.	80 °C
Material class	Euroclass E / B2 normal flammability
Properties	<ul style="list-style-type: none"> + Not sensitive to the weather (UV/IR radiation, rain/snow, temperature, ozone, etc.) + Impact and shock resistant + Durable + Thermally insulated
Workmanship	The general rules of engineering as well as the installation examples and installation instructions of Sita Bauelemente GmbH form the basis. The installation examples are for illustration purposes only and are a general, non-binding recommendation. The design is shown in schematic form only and does not replace the necessary work, detail and installation planning by the contractor. The customer, planner, contractor, etc. is responsible for checking the suitability, completeness and dimensions for the project and adjusting or tailoring the components to suit local requirements. Neighbouring works are shown in schematic form with no guarantee of their being complete or correct. The technical specifications in the information sheets, workmanship guidelines and system permits must be adhered to.

SitaDSS Profi

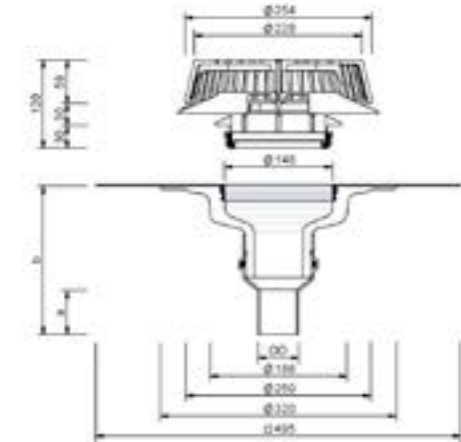
with Airstop



Tender text

SitaDSS Profi siphonic drainage rainwater outlet, made of polyurethane, thermally insulated to DIN EN 1253-2 with enhanced quality standard to RAL quality mark GZ-694, with Airstop including dome grate, in sizes DN 56 or DN 70. For direct connection to PE pipes (butt welding or with an electro-fusion socket), for siphonic drainage, with large connecting sleeve of choice (495 mm x 495 mm) to suit the roofing membrane and with fixing ring for additional securing of the connecting sleeve and to hold the Airstop including dome grate, supply and install to professional standards.

Technical drawing



Size DN	OD*	Opening/Core borehole (mm)	a (mm)	b (mm)	Article number
56	56	250	60	202	14 02 xx
70	75		60	194	14 04 xx

* OD = Outer diameter (mm)

xx = Article end numbers for connection sleeve of choice

Discharge rate according in l/s to DIN EN 1253-2

Size DN	Retaining height in mm																			
	5	10	15	20	25	30	35	40	45	50	55	60	65	70	75	80	85	90	95	100
56	0,7	2,0	3,2	4,1	4,9	6,6	8,2	8,2	8,2	8,2	8,2	8,2	8,2	8,2	8,2	8,2	8,2	8,2	8,2	8,2
70	0,5	1,3	2,8	4,2	5,5	7,6	9,4	12,9	16,3	16,7	17,0	17,0	17,0	17,0	17,0	17,0	17,0	17,0	17,0	17,0

Quality mark



SitaDSS Profi without Airstop



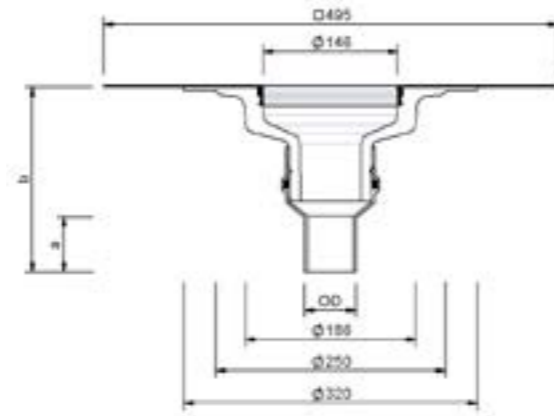
SitaDSS Profi Screw-on flange with Airstop



Tender text

SitaDSS Profi siphonic drainage rainwater outlet without Airstop, made of polyurethane, thermally insulated to DIN EN 1253-2 with enhanced quality standard to RAL quality mark GZ-694, in sizes DN 56 or DN 70. For direct connection to PE pipes (butt welding or with an electrofusion socket), for siphonic drainage, with large connecting sleeve of choice (495 mm x 495 mm) to suit the roofing membrane and with fixing ring for additional securing of the connecting sleeve. To be used in combination with the SitaDSS Profi retaining element only. Supply and install to professional standards.

Technical drawing



Size DN	OD*	Opening/Core borehole (mm)	a (mm)	b (mm)	Article number **
56	56	250	60	202	14 32 xx
70	75		60	194	14 34 xx

* OD = Outer diameter (mm)

xx = Article end numbers for connection sleeve of choice

** Without Airstop, to be used in combination with the SitaDSS Profi retaining element only for emergency drainage

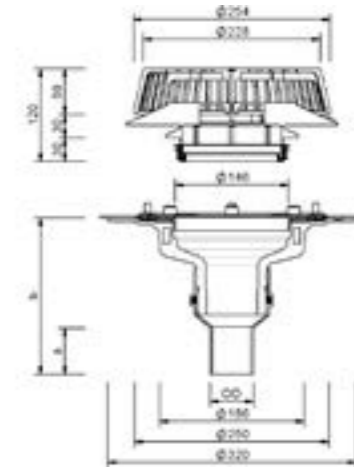
Discharge rate according in l/s to DIN EN 1253-2

Size DN	Retaining height in mm																			
	5	10	15	20	25	30	35	40	45	50	55	60	65	70	75	80	85	90	95	100
56	0,7	2,0	3,2	4,1	4,9	6,6	8,2	8,2	8,2	8,2	8,2	8,2	8,2	8,2	8,2	8,2	8,2	8,2	8,2	8,2
70	0,5	1,3	2,8	4,2	5,5	7,6	9,4	12,9	16,3	16,7	17,0	17,0	17,0	17,0	17,0	17,0	17,0	17,0	17,0	17,0

Tender text

SitaDSS Profi siphonic drainage rainwater outlet, made of polyurethane, thermally insulated to DIN EN 1253-2 with enhanced quality standard to RAL quality mark GZ-694, in sizes DN 56 or DN 70. For direct connection to PE pipes (butt welding or with electrofusion socket), for siphonic drainage, with pre-drilled holes to secure the component in the substructure, with foamed-in insert ring for the supplied screws, loose aluminium flange and two sealing sleeves for clamping bitumen, plastic or EPDM roofing membranes. Complete including dome grate, supply and install to professional standards.

Technical drawing



Size DN	OD*	Opening/Core borehole (mm)	a (mm)	b (mm)	Article number
56	56	250	60	202	14 02 99
70	75		60	194	14 04 99

* OD = Outer diameter (mm)

Discharge rate according in l/s to DIN EN 1253-2

Size DN	Retaining height in mm																			
	5	10	15	20	25	30	35	40	45	50	55	60	65	70	75	80	85	90	95	100
56	0,7	2,0	3,2	4,1	4,9	6,6	8,2	8,2	8,2	8,2	8,2	8,2	8,2	8,2	8,2	8,2	8,2	8,2	8,2	8,2
70	0,5	1,3	2,8	4,2	5,5	7,6	9,4	12,9	16,3	16,7	17,0	17,0	17,0	17,0	17,0	17,0	17,0	17,0	17,0	17,0

SitaDSS Profi

Screw-on flange without Airstop



SitaDSS Profi

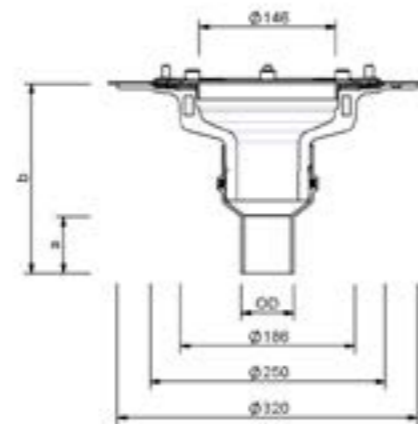
Aufstockelement



Tender text

SitaDSS Profi siphonic drainage rainwater outlet without Airstop, made of polyurethane, thermally insulated to DIN EN 1253-2 with enhanced quality standard to RAL quality mark GZ-694, in sizes DN 56 or DN 70. For direct connection to PE pipes (butt welding or with electrofusion socket), for siphonic drainage, with pre-drilled holes to secure the component in the substructure, with foamed-in insert ring for the supplied screws, loose aluminium flange and two sealing sleeves for clamping bitumen, plastic or EPDM roofing membranes. To be used in combination with the SitaDSS Profi retaining element only. Supply and install to professional standards.

Technical drawing



Size DN	OD*	Opening/Core borehole (mm)	a (mm)	b (mm)	Article number**
56	56	250	60	202	14 32 99
70	75		60	194	14 34 99

* OD = Outer diameter (mm)

** Without Airstop, to be used in combination with the SitaDSS Profi retaining element only

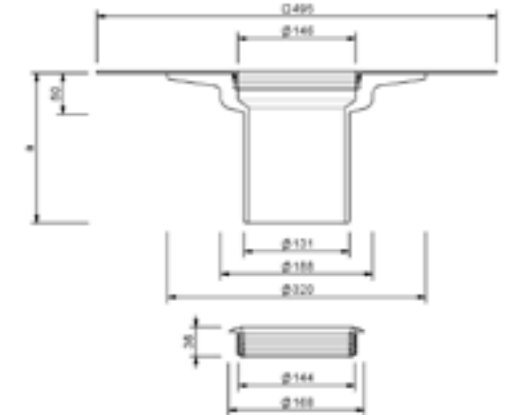
Discharge rate according in l/s to DIN EN 1253-2

Size DN	Retaining height in mm																			
	5	10	15	20	25	30	35	40	45	50	55	60	65	70	75	80	85	90	95	100
56	0,7	2,0	3,2	4,1	4,9	6,6	8,2	8,2	8,2	8,2	8,2	8,2	8,2	8,2	8,2	8,2	8,2	8,2	8,2	8,2
70	0,5	1,3	2,8	4,2	5,5	7,6	9,4	12,9	16,3	16,7	17,0	17,0	17,0	17,0	17,0	17,0	17,0	17,0	17,0	17,0

Tender text

SitaDSS Profi long siphonic drainage rainwater outlet, made of polyurethane, thermally insulated to DIN EN 1253-2 with enhanced quality standard to RAL quality mark GZ-694, with Airstop including dome grate, in size DN 70. For direct connection to the SitaPipe stainless steel pipe system, for siphonic drainage, with large connecting sleeve of choice (495 x 495 mm) to suit the roofing membrane and with fixing ring for additional securing of the connecting sleeve and to hold the Airstop including dome grate, supply and install to professional standards.

Technical drawing



a (mm)	Bridging of thermal insulation min. (mm)	Bridging of thermal insulation max. (mm)	Article number
185	60	150	14 25 xx
255		220	14 26 xx
355		320	14 27 xx

xx = Article end numbers for connection sleeve of choice

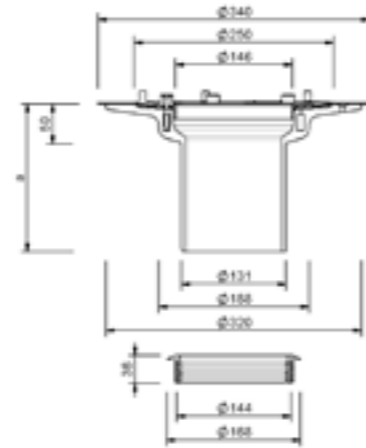
SitaDSS Profi Screw-on flange Extension unit



Tender text

SitaDSS Profi screw-on flange extension unit, made of polyurethane, to DIN EN 1253-2 with enhanced quality standard to RAL quality mark GZ-694, for installation thicknesses from 60 mm to 320 mm, with ready-made boreholes to secure the component in the sub-structure. With foamed-in insert ring for the supplied screws, loose aluminium flange and two sealing sleeves for clamping bitumen, plastic or EPDM roofing membranes. Complete including multi-lip angled sealing ring for backflow protection, supply and install to professional standards.

Technical drawing



a (mm)	Bridging of thermal insulation min. (mm)	Bridging of thermal insulation max. (mm)	Article number
185	60	150	14 25 99
255		220	14 26 99
355		320	14 27 99

* OD = Outer diameter (mm)

SitaDSS Profi Retaining element



Tender text

SitaDSS Profi retaining element, made of polyamide, to DIN EN 1253-2, for SitaDSS Profi, SitaDSS Profi screw-on flange, siphonic drainage rainwater outlet and extension units for emergency drainage, adjustable height of the inlet edge of 25 mm to 200 mm, 105 mm to 85 mm or 150 mm to 135 mm, with multi-lip angled sealing ring to seal the retaining element against the roof outlet or extension unit. With three infinitely height-adjustable rubber-metal buffers, installation area per foot: 19.6 cm², with galvanised threaded rod M8 mm x 90 mm, M8 mm x 140 mm or M8 mm x 190 mm, with bolted sealed cover which can be removed for inspection, housing with 51 surrounding lugs, in yellow signal colour. Retaining heights are infinitely adjustable, with large inlet pot to increase discharge capacity, supply and install to professional standards.

Technical drawing



Compatibility	a (mm)	b (mm)	Damming height from-to (mm)	Article number
SitaDSS Profi, SitaDSS Profi screw-on flange, SitaSani® 160 DSS, SitaSani® 160 DSS screw-on flange	115	223	25 - 105	14 90 01
	214	323	85 - 150	14 90 11
	214	323	135 - 200	14 90 12

SitaDSS Profi

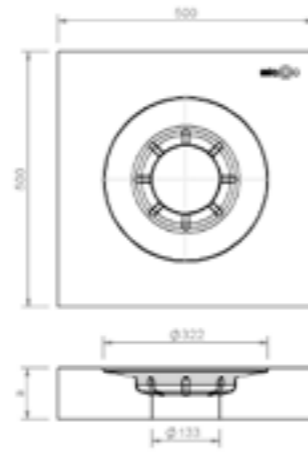
Insulating body for extension element



Tender text

SitaDSS Profi insulating body for extension unit, made of polyurethane, for easy bonding to the vapour barrier, without mechanical fastening of the extension unit by bonding to the insulation body, size 500 x 500 x 100 mm or 500 x 500 x 60 mm, thermal conductivity $\lambda=0.025$ W/mK, compressive strength 200 kPa, density approx. 50 kg/m³, as an installation aid and thermal insulation for the prevention of thermal bridges, supply and install to professional standards.

Technical drawing



Compatibility	a (mm)	Article number
SitaDSS Profi extension unit	100	14 50 05
	60	14 50 06

SitaMore

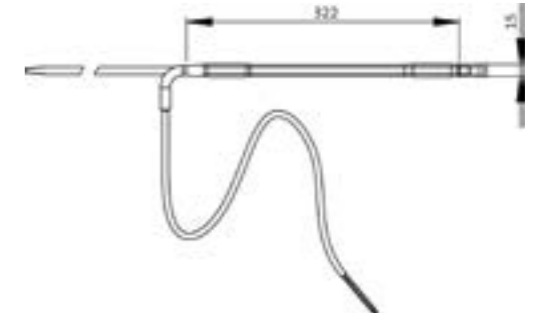
Pipe sleeve heating



Tender text

SitaMore pipe sleeve heating, for heating roof outlets and pipes, self-regulating PTC heating element with a heat rating of approx. 10 W at -20 °C and 230 V, with two cable ties for easy securing to pipes or roof outlets. No transformer required, supply and install to professional standards.

Technical drawing



Article number
10 90 35

SitaMore Reinforcement plate



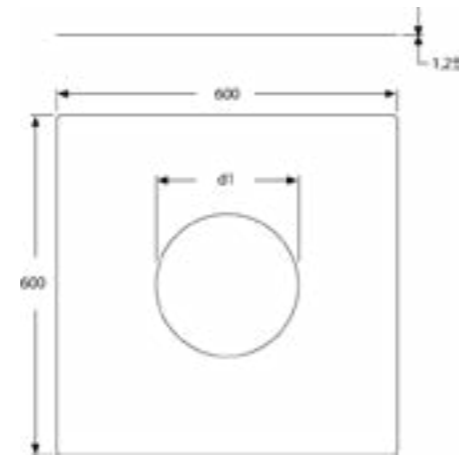
SitaMore Fire protection sleeve



Tender text

SitaMore reinforcement plate, made of galvanised sheet steel, to reinforce small penetrations in the trapezoidal steel sheet, for SitaDSS Profi, SitaStandard, SitaTrendy, SitaTrendy screw-on flange, SitaVent system vent, SitaCompact, SitaMulti and SitaDSS, supply and install to professional standards.

Technical drawing

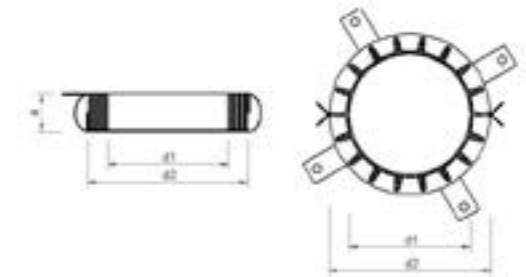


Compatibility	d1 (mm)	Article number
SitaCompact, SitaVent system vent DN 100	152	12 90 10
SitaStandard, SitaTrendy, SitaTrendy screw-on flange, SitaMulti, SitaDSS Profi, SitaDSS Multi, SitaVent system vent DN 150	250	10 90 00

Tender text

SitaMore fire protection sleeve, pipe insulation to ETAG 026 Part 2:2008-01-01 in fire resistance class EI 120-U/U or EI 240-U/C to EN 13501-2 for fire protection on inflammable pipes to ETA-11/0208, dated 22 June 2011. Foreclosing openings in internal walls at least 100 mm thick and ceilings at least 150 mm thick, classified to EN 13501-2. To prevent the spread of fire and smoke, supply and install to professional standards.

Technical drawing

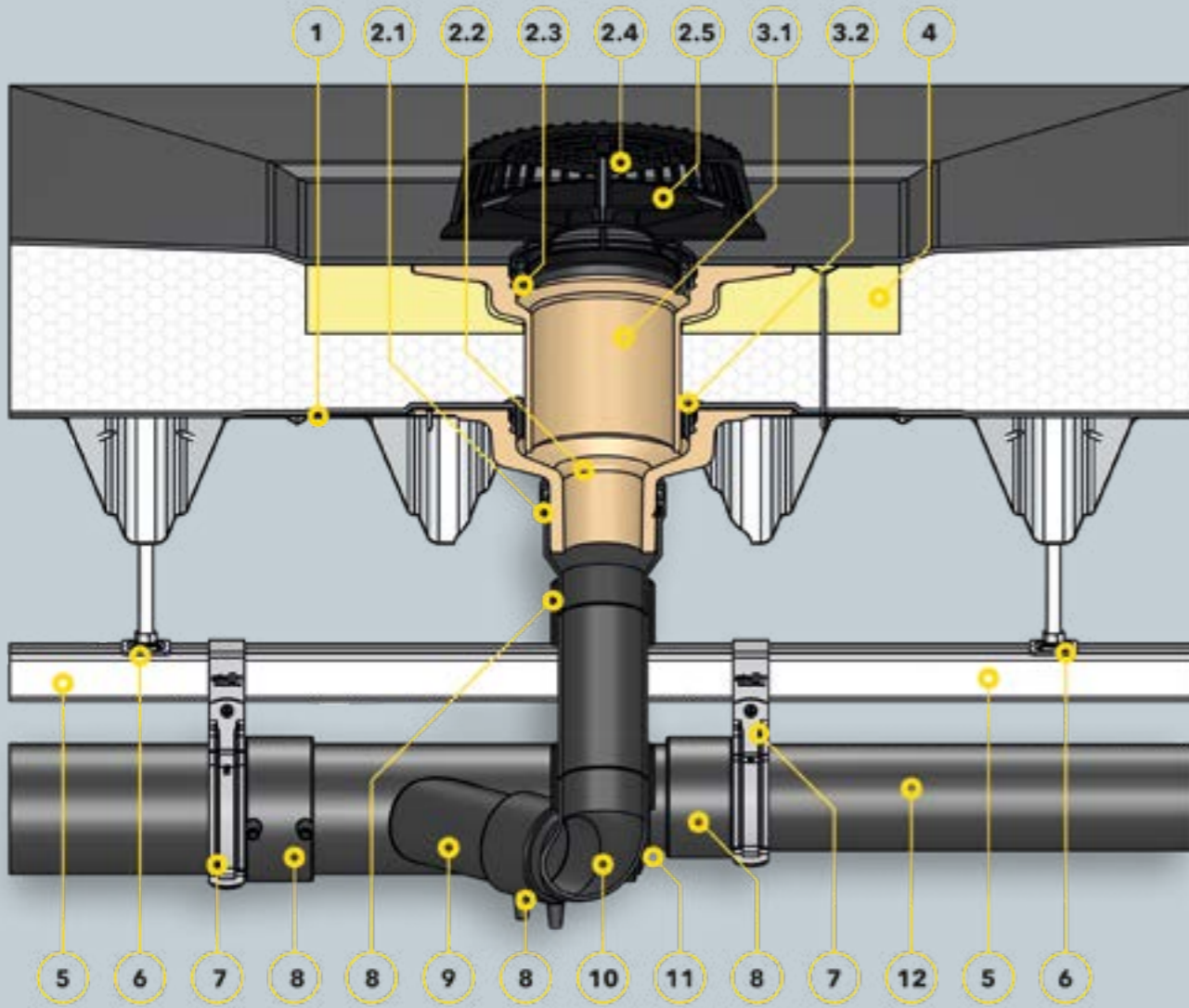


Size DN	OD*	a (mm)	d1 (mm)	d2 (mm)	Article number
40	40	26	46	55	80 13 00 40
50	50	26	54	68	80 13 00 50
63	63	26	67	94	80 13 56 63
70	75	26	79	106	80 13 00 75
90	90	26,6	94	132	80 13 00 90
100	110	26,6	114	155	80 13 00 11
125	125	40	129	172	80 13 00 12
160	160	40	165	220	80 13 00 16
200	200	40	204	284	80 13 00 20
250	250	50	264	353	80 13 00 25
315	315	50	328	417	80 13 00 31

* OD = Outer diameter (mm)

SitaDSS Profi

SitaDSS Profi in a non-ventilated roof structure



Components

1 SitaMore reinforcement plate

SitaDSS Profi consisting of:

- 2.1 PE plug-in coupler with snap-on ring
- 2.2 Base body
- 2.3 Fastening ring for Airstop
- 2.4 Dome grate
- 2.5 Airstop

SitaDSS Profi extension unit consisting of:

- 3.1 Base body
- 3.2 Sealing ring
- 4 SitaDSS Profi insulating body for extension unit
- 5 SitaDSS Rail mounting rail
- 6 SitaDSS Rail suspension unit
- 7 SitaDSS Clamp
- 8 SitaDSS PE electrofusion socket
- 9 SitaDSS PE branch
- 10 SitaDSS PE bend
- 11 SitaDSS PE reduction piece
- 12 SitaDSS PE pipe

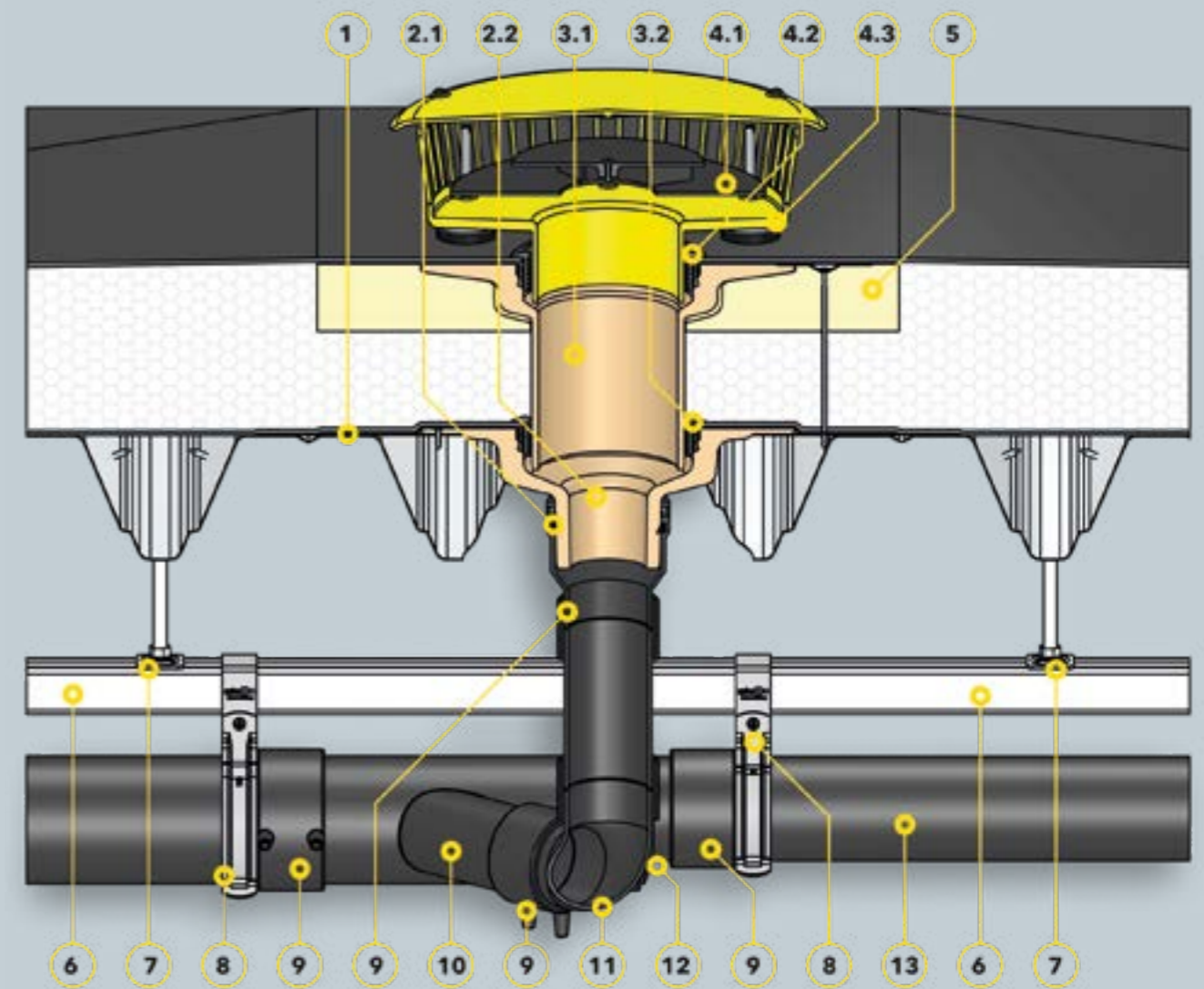
Roof structure

Non-ventilated roof structure to the general rules of engineering with:

- + Waterproof membrane
- + Thermal insulation
- + Vapour barrier
- + Substructure

SitaDSS Profi

SitaDSS Profi with SitaDSS Profi retaining element for emergency drainage in non-ventilated roof structures



Components

1 SitaMore reinforcement plate

SitaDSS Profi consisting of:

- 2.1 PE plug-in coupler with snap-on ring
- 2.2 Base body

SitaDSS Profi extension unit consisting of:

- 3.1 Base body
- 3.2 Sealing ring

SitaDSS Profi retaining element consisting of:

- 4.1 Airstop
- 4.2 Sealing ring
- 4.3 Base body

5 SitaDSS Profi insulating body for extension unit

- 6 SitaDSS Rail mounting rail
- 7 SitaDSS Rail suspension unit
- 8 SitaDSS Clamp
- 9 SitaDSS PE electrofusion socket
- 10 SitaDSS PE branch
- 11 SitaDSS PE bend
- 12 SitaDSS PE reduction piece
- 13 SitaDSS PE pipe

Roof structure

Non-ventilated roof structure to the general rules of engineering with:

- + Waterproof membrane
- + Thermal insulation
- + Vapour barrier
- + Substructure

SitaDSS Fireguard®
 High-pressure drainage.
 Fire protection in the set.



Click here for
 the website!



SitaDSS Fireguard®
 with Airstop



SitaDSS Fireguard®
 with retaining element



SitaDSS Fireguard®
 Screw-on flange
 with Airstop



SitaDSS Fireguard®
 Screw-on flange
 with retaining element



SitaFireguard®
 Insulating body Mineral
 wool

- + For preventive fire protection to DIN 18234
- + A complete set allowing easy and safe installation
- + Small roof penetrations thanks to optimised shape of the PE base body
- + For direct connection to the PE pipes
- + With integrated selected connection sleeve or screw-on flange construction
- + For main and emergency drainage

SitaDSS Fireguard®

Product features at a glance

Product features

Applications	For main and emergency drainage to DIN 12056-3 and DIN 1986-100 for siphonic drainage and for preventive fire protection for flat roofs with requirements according to DIN 18234
Material	Sheet steel, polyethylene, polyurethane
Temperature resistance, min.	-20 °C
Properties	<ul style="list-style-type: none"> + Not sensitive to the weather (UV/IR radiation, rain/snow, temperature, ozone, etc.) + Impact and shock resistant + Durable
Workmanship	The general rules of engineering as well as the installation examples and installation instructions of Sita Bauelemente GmbH form the basis. The installation examples are for illustration purposes only and are a general, non-binding recommendation. The design is shown in schematic form only and does not replace the necessary work, detail and installation planning by the contractor. The customer, planner, contractor, etc. is responsible for checking the suitability, completeness and dimensions for the project and adjusting or tailoring the components to suit local requirements. Neighbouring works are shown in schematic form with no guarantee of their being complete or correct. The technical specifications in the information sheets, workmanship guidelines and system permits must be adhered to.

SitaDSS Fireguard®

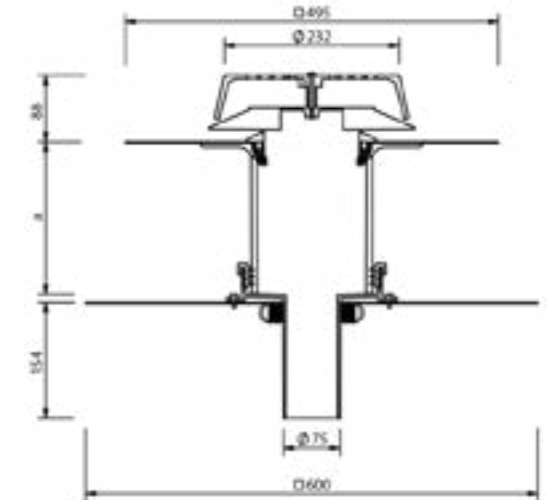
with Airstop



Tender text

SitaDSS Fireguard® with Airstop, for preventive fire protection and to prevent the spread of fire from below where there are small penetrations according to DIN 18234 Part 3 and 4, in two parts, consisting of: PE base body with collar for fixing to the reinforcement plate and for clamping the vapour barrier, to DIN EN 1253-2 with enhanced quality standard to RAL quality mark GZ-694. Including extension unit for insulating material thicknesses from 65 mm to 210 mm or 105 mm to 570 mm made of PUR with large connection sleeve of choice and dome grate with Airstop. For direct connection to PE pipes (butt welding or with electrofusion socket), for siphonic drainage, with a sealing sleeve and a reinforcement plate to DIN EN 1090-4, with pre-assembled fire protection sleeve, supply complete and install to professional standards.

Technical drawing



Size DN	OD*	Opening/Core borehole (mm)	Recess dimension (mm x mm)	a (mm)	material thicknesses from-to (mm)	Article number
70	75	185	150 x 150	200	65 - 210	F 30 23 xx
				550	105 - 570	F 30 24 xx

* OD = Outer diameter (mm)

xx = Article end numbers for connection sleeve of choice

Discharge rate according in l/s to DIN EN 1253-2

Size DN	Retaining height in mm																				
	5	10	15	20	25	30	35	40	45	50	55	60	65	70	75	80	85	90	95	100	
70	0,7	1,6	2,5	3,5	4,5	6,1	7,6	11,8	16	16,6	17,2	17,3	17,4	17,5	17,5	17,5	17,5	17,5	17,5	17,5	17,5

Quality mark



SitaDSS Fireguard® with retaining element



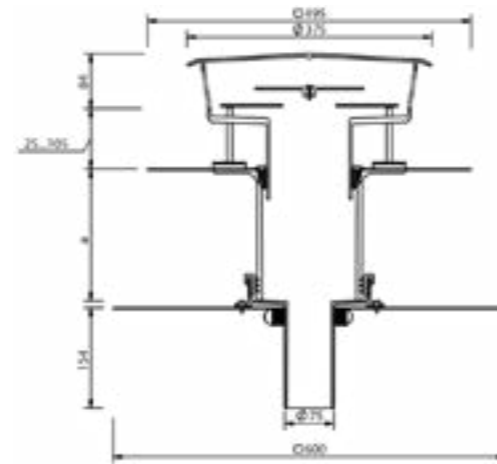
SitaDSS Fireguard® Screw-on flange with Airstop



Tender text

SitaDSS Fireguard® with retaining element, DN 70, for preventive fire protection and to prevent the spread of fire from below where there are small penetrations according to DIN 18234 Part 3 and 4, in two parts, consisting of: PE base body with collar for fixing to the reinforcement plate and for clamping the vapour barrier, to DIN EN 1253-2 with enhanced quality standard to RAL quality mark GZ-694, retaining height. Including extension unit for insulating material thicknesses from 65 mm to 210 mm or 105 mm to 570 mm made of PUR with large connection sleeve of choice and retaining element with Airstop. For direct connection to PE pipes (butt welding or with electrofusion socket), for siphonic drainage, with a sealing sleeve and a reinforcement plate to DIN EN 1090-4, with pre-assembled fire protection sleeve, supply complete and install to professional standards.

Technical drawing



Size DN	OD*	Opening/Core borehole (mm)	Recess dimension (mm x mm)	a (mm)	material thicknesses from-to (mm)	Article number
70	75	185	150 x 150	200	65 - 210	F 30 25 xx
				550	105 - 570	F 30 26 xx

* OD = Outer diameter (mm)

xx = Article end numbers for connection sleeve of choice

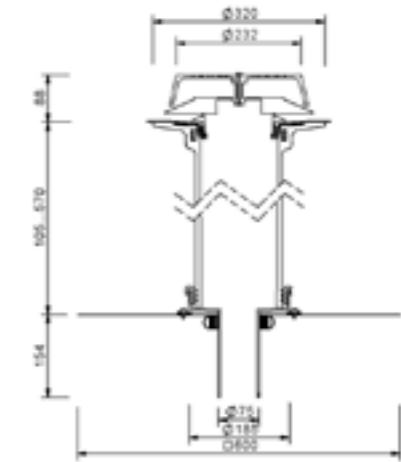
Discharge rate according in l/s to DIN EN 1253-2

Size DN	Retaining height in mm																			
	5	10	15	20	25	30	35	40	45	50	55	60	65	70	75	80	85	90	95	100
70	0,7	1,9	3,0	4,3	5,5	8,1	10,7	13,7	16,7	19,9	17,1	17,2	17,3	17,4	17,5	17,5	17,5	17,5	17,5	17,5

Tender text

SitaDSS Fireguard® screw-on flange with Airstop, for preventive fire protection and to prevent the spread of fire from below where there are small penetrations according to DIN 18234 Part 3 and 4, in two parts, consisting of: PE base body with collar for fixing to the reinforcement plate and for clamping the vapour barrier, to DIN EN 1253-2 with enhanced quality standard to RAL quality mark GZ-694. Including extension unit for insulating material thicknesses from 105 mm to 570 mm made of PUR with screw-on flange construction and dome grate with Airstop. For direct connection to PE pipes (butt welding or with electrofusion socket), for siphonic drainage, with a sealing sleeve and a reinforcement plate to DIN EN 1090-4, with pre-assembled fire protection sleeve, supply complete and install to professional standards.

Technical drawing



Size DN	OD*	Opening/Core borehole (mm)	Recess dimension (mm)	material thicknesses from-to (mm)	Article number
70	75	185	150 x 150	105 - 570	F 30 24 99

* OD = Outer diameter (mm)

Discharge rate according in l/s to DIN EN 1253-2

Size DN	Retaining height in mm																			
	5	10	15	20	25	30	35	40	45	50	55	60	65	70	75	80	85	90	95	100
70	0,7	1,6	2,5	3,5	4,5	6,1	7,6	11,8	16	16,6	17,2	17,3	17,4	17,5	17,5	17,5	17,5	17,5	17,5	17,5

SitaDSS Fireguard®

Screw-on flange with retaining element



SitaFireguard®

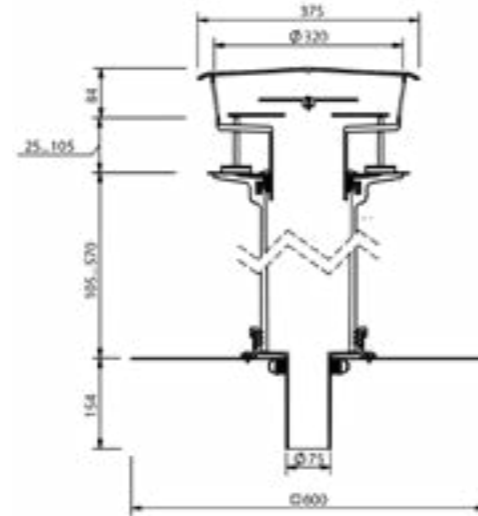
Insulating body Mineral wool



Tender text

SitaDSS Fireguard® screw-on flange with retaining element, DN 70, for preventive fire protection and to prevent the spread of fire from below where there are small penetrations according to DIN 18234 Part 3 and 4, in two parts, consisting of: PE base body with collar for fixing to the reinforcement plate and for clamping the vapour barrier, to DIN EN 1253-2 with enhanced quality standard to RAL quality mark GZ-694, retaining height. Including extension unit for insulating material thicknesses from 105 mm to 570 mm made of PUR with screw-on flange construction and retaining element with Airstop. For direct connection to PE pipes (butt welding or with electrofusion socket), for siphonic drainage, with a sealing sleeve and a reinforcement plate to DIN EN 1090-4, with pre-assembled fire protection sleeve, supply complete and install to professional standards.

Technical drawing



Size DN	OD*	Opening/Core borehole (mm)	Recess dimension (mm x mm)	material thicknesses from-to (mm)	Article number
70	75	185	150 x 150	105 - 570	F 30 26 99

* OD = Outer diameter (mm)

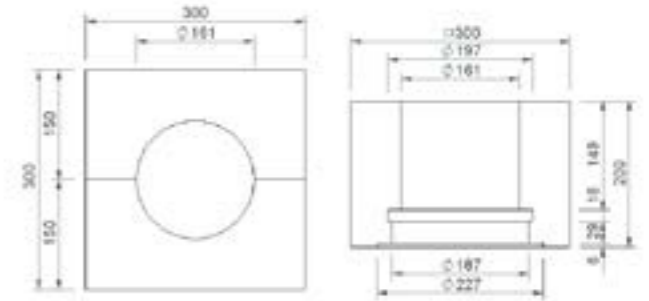
Discharge rate according in l/s to DIN EN 1253-2

Size DN	Retaining height in mm																			
	5	10	15	20	25	30	35	40	45	50	55	60	65	70	75	80	85	90	95	100
70	0,7	1,9	3,0	4,3	5,5	8,1	10,7	13,7	16,7	19,9	17,1	17,2	17,3	17,4	17,5	17,5	17,5	17,5	17,5	17,5

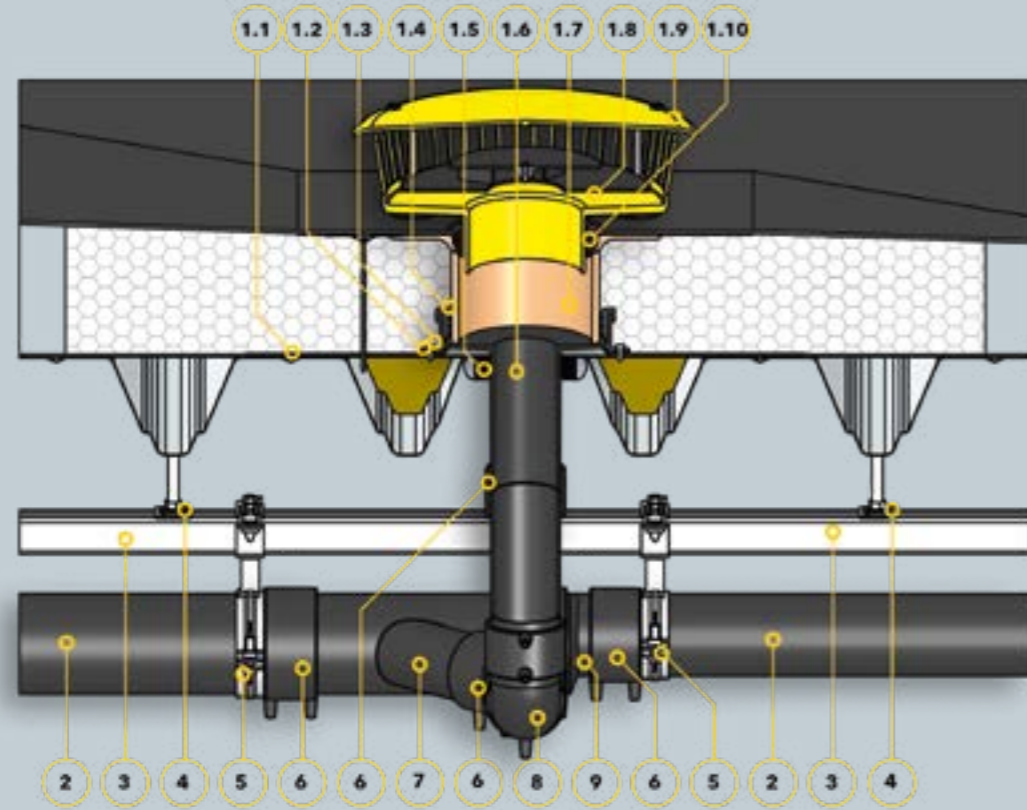
Tender text

SitaFireguard insulating body made of mineral fibres, WLG 040, height 200 mm, material class A1 (not flammable), application type DAA dm according to DIN 4108-10, suitable for unused roof surfaces. For thermal insulation and for use as an installation aid for positioning the extension unit for the SitaFireguard, SitaDSS Fireguard and the PE pipe for the SitaVent Fireguard, supply and installation to professional standards.

Technical drawing



Compatibility	Article number
SitaFireguard®, SitaDSS Fireguard®, SitaVent Fireguard	E 10 96 13



Components

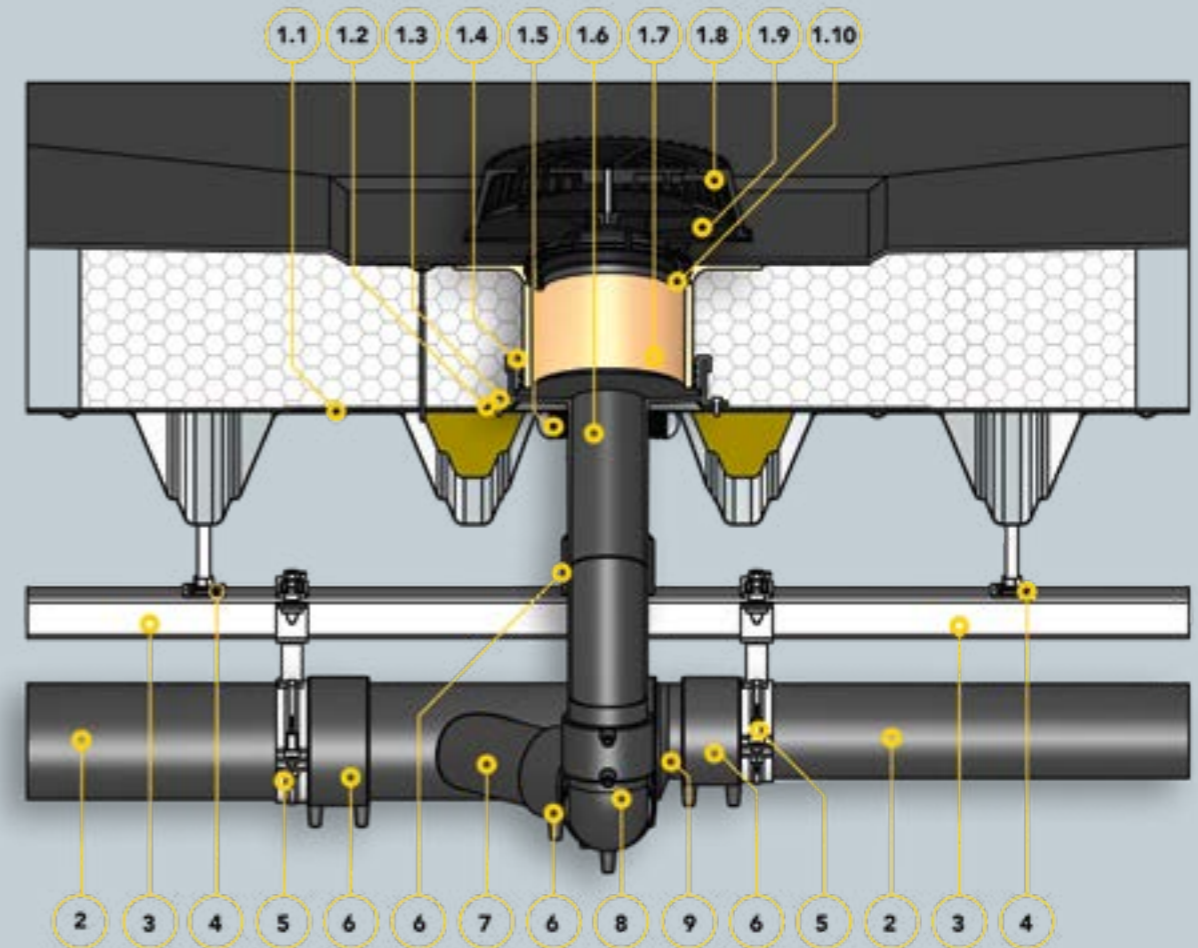
SitaDSS Fireguard emergency drainage consisting of:

- 1.1 Reinforcement plate
- 1.2 Sealing sleeve
- 1.3 Self-tapping screw
- 1.4 Seal
- 1.5 Fire protection sleeve
- 1.6 PE base body
- 1.7 Extension unit
- 1.8 Retaining element base body
- 1.9 Retaining element cover
- 1.10 Retaining element fastening ring

- 2 SitaDSS PE pipe
- 3 SitaDSS Rail mounting rail
- 4 SitaDSS Rail rigid suspension unit
- 5 SitaDSS Clamp fastening unit
- 6 SitaDSS PE electrofusion socket
- 7 SitaDSS PE branch 45°
- 8 SitaDSS PE bend 88.5°
- 9 SitaDSS PE reduction piece

Roof structure

Non-ventilated roof structure to the general rules of engineering with:
 + Sealing
 + Thermal insulation non-flammable, min. 1.0 m x 1.0 m
 + Vapour barrier
 + Non-flammable section fillers
 + Steel trapezoidal section



Components

SitaDSS Fireguard emergency drainage consisting of:

- 1.1 Reinforcement plate
- 1.2 Sealing sleeve
- 1.3 Self-tapping screw
- 1.4 Seal
- 1.5 Fire protection sleeve
- 1.6 PE base body
- 1.7 Extension unit
- 1.8 Dome grate
- 1.9 Airstop
- 1.10 Base plate fastening ring

- 2 SitaDSS PE pipe
- 3 SitaDSS Rail mounting rail
- 4 SitaDSS Rail rigid suspension unit
- 5 SitaDSS Clamp fastening unit
- 6 SitaDSS PE electrofusion socket
- 7 SitaDSS PE branch 45°
- 8 SitaDSS PE bend 88.5°
- 9 SitaDSS PE reduction piece

Roof structure

Non-ventilated roof structure to the general rules of engineering with:
 + Sealing
 + Thermal insulation non-flammable, min. 1.0 m x 1.0 m
 + Vapour barrier
 + Non-flammable section fillers
 + Steel trapezoidal section

SitaDSS Ravana

Extra small. Extra flexible.



Click here for
the website!



SitaDSS Ravana
Screw-on flange
Extension unit



SitaDSS Ravana
Retaining element



SitaDSS Ravana
Screw-on flange
vertical

- + For small roof areas or gutters
- + For main or emergency drainage
- + Two-piece structure with the SitaDSS Ravana extension unit
- + Width only 195 mm
- + Non-combustible

SitaDSS Ravana

Product features at a glance

Product features

Applications	For main and emergency drainage (siphonic drainage) to DIN EN 12056-3 and DIN 1986-100 for used and unused flat roofs and gutters
Material	Stainless steel
Design	Vertical
Material class	Euroclass A1 /A1 non-flammable
Properties	<ul style="list-style-type: none"> + Not sensitive to the weather (UV/IR radiation, rain/snow, temperature, ozone, etc.) + Impact and shock resistant + Durable + Universal for any seal
Workmanship	The general rules of engineering as well as the installation examples and installation instructions of Sita Bauelemente GmbH form the basis. The installation examples are for illustration purposes only and are a general, non-binding recommendation. The design is shown in schematic form only and does not replace the necessary work, detail and installation planning by the contractor. The customer, planner, contractor, etc. is responsible for checking the suitability, completeness and dimensions for the project and adjusting or tailoring the components to suit local requirements. Neighbouring works are shown in schematic form with no guarantee of their being complete or correct. The technical specifications in the information sheets, workmanship guidelines and system permits must be adhered to.

Quality mark



SitaDSS Ravana

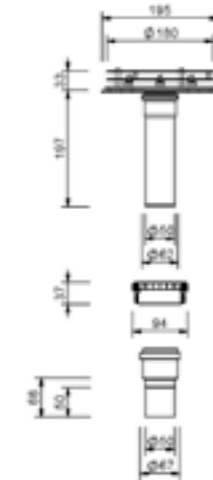
Screw-on flange vertical



Tender text

SitaDSS Ravana, gutter rainwater outlet for siphonic drainage, made of rust-proof stainless steel, material no. 1.4301, to DIN EN 1253-2 with enhanced quality standard to RAL quality mark GZ-694, in size DN 50, with an adapter consisting of a PE-HD plug-in coupler DN 50 in a length of 115 mm with connector, for direct connection to PE pipes to DIN EN 1519. With a drainage capacity to DIN EN 1253-2:2013 of 15.7 l/s at a water column of 46 mm, with predrilled holes to secure the component in the sub-structure, with six threaded rods M8, length 25 mm, washers and hexagon nuts, rust-proof stainless steel loose flange, material no. 1.4301, with welding pins to hold the Airstop, two sealing sleeves for clamping bitumen, plastic or EPDM roofing membranes. Complete, including Airstop, supply and install to professional standards.

Technical drawing



Size DN	OD*	Opening/Core borehole (mm)	Article number
50	50	100	28 00 99

* OD = Outer diameter (mm)

Discharge rate according in l/s to DIN EN 1253-2

Size DN	Retaining height in mm																			
	5	10	15	20	25	30	35	40	45	50	55	60	65	70	75	80	85	90	95	100
50	0,2	0,6	0,9	2,0	3,0	4,4	5,8	5,8	5,8	5,8	5,8	5,8	5,8	5,8	5,8	5,8	5,8	5,8	5,8	5,8

On a flat and open space area.

Discharge rate according in l/s to DIN EN 1253-2 with retaining element for emergency drainage

Size DN	Retaining height in mm																			
	5	10	15	20	25	30	35	40	45	50	55	60	65	70	75	80	85	90	95	100
50	0,2	0,6	1,0	2,9	4,7	5,7	5,7	5,7	5,7	5,7	5,7	5,7	5,7	5,7	5,7	5,7	5,7	5,7	5,7	5,7

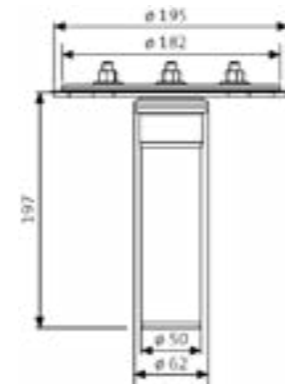
SitaDSS Ravana Screw-on flange Extension unit



Tender text

SitaDSS Ravana extension unit, made of rust-proof stainless steel, material No. 1.4301 to DIN EN 1253-2 with enhanced quality standard to RAL quality mark GZ-694, for insulation thicknesses of 50-160 mm, with pre-drilled holes to secure the component in the substructure, stainless steel loose flange, material No. 1.4301, two sealing sleeves for clamping bitumen, plastic or EPDM roofing membranes, supply and install to professional standards.

Technical drawing



Bridging of thermal insulation min. (mm)	Bridging of thermal insulation max. (mm)	Article number
50	160	28 25 99

SitaDSS Ravana Retaining element



Tender text

SitaDSS Ravana retaining element for emergency drainage for SitaDSS Ravana siphonic roof outlet, made of rust-proof stainless steel, material number 1.4301, according to DIN EN 1253-2 with enhanced quality standard according to RAL GZ-694 quality mark, retention height of 30 mm to 150 mm, with drainage capacity of 14.1 l/s full pipe at a water column of 43 mm, according to DIN EN 1253-2:2013, supply and install to professional standards.

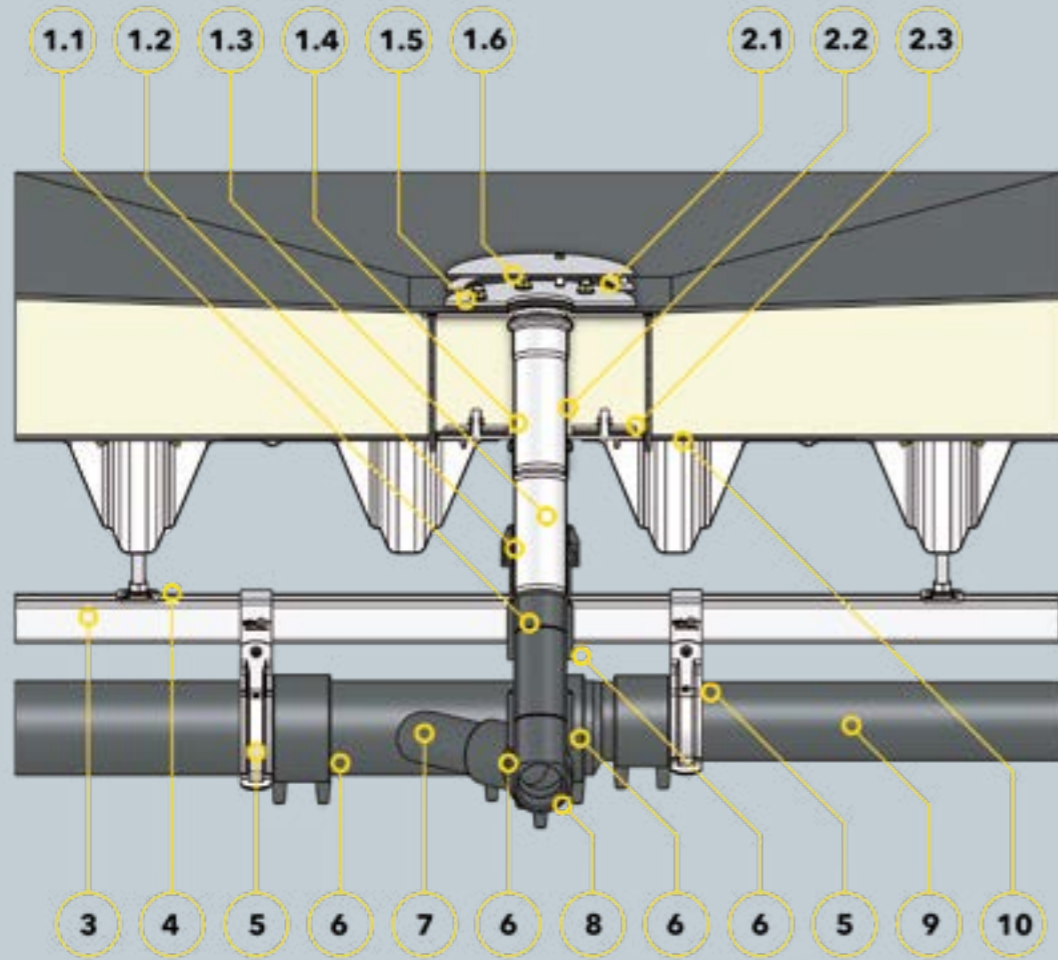
Technical drawing



Damming height from-to (mm)	Article number
30 - 150	28 90 01

SitaDSS Ravana

SitaDSS Ravana for main drainage in a non-ventilated roof structure



Components

SitaDSS Ravana consisting of:

- 1.1 PE-HD plug-in coupler
- 1.2 Safety clamp
- 1.3 Base body
- 1.4 Washers, nuts and sealing sleeves
- 1.5 Loose flange
- 1.6 Airstop

SitaDSS Ravana extension unit consisting of:

- 2.1 Washers, nuts and sealing sleeves
- 2.2 Base body
- 2.3 Loose flange

3 SitaDSS Rail mounting rail

4 SitaDSS Rail suspension unit

5 SitaDSS Clamp

6 SitaDSS PE electrofusion socket

7 SitaDSS PE branch

8 SitaDSS PE bend

9 SitaDSS PE pipe

10 SitaMore reinforcement plate

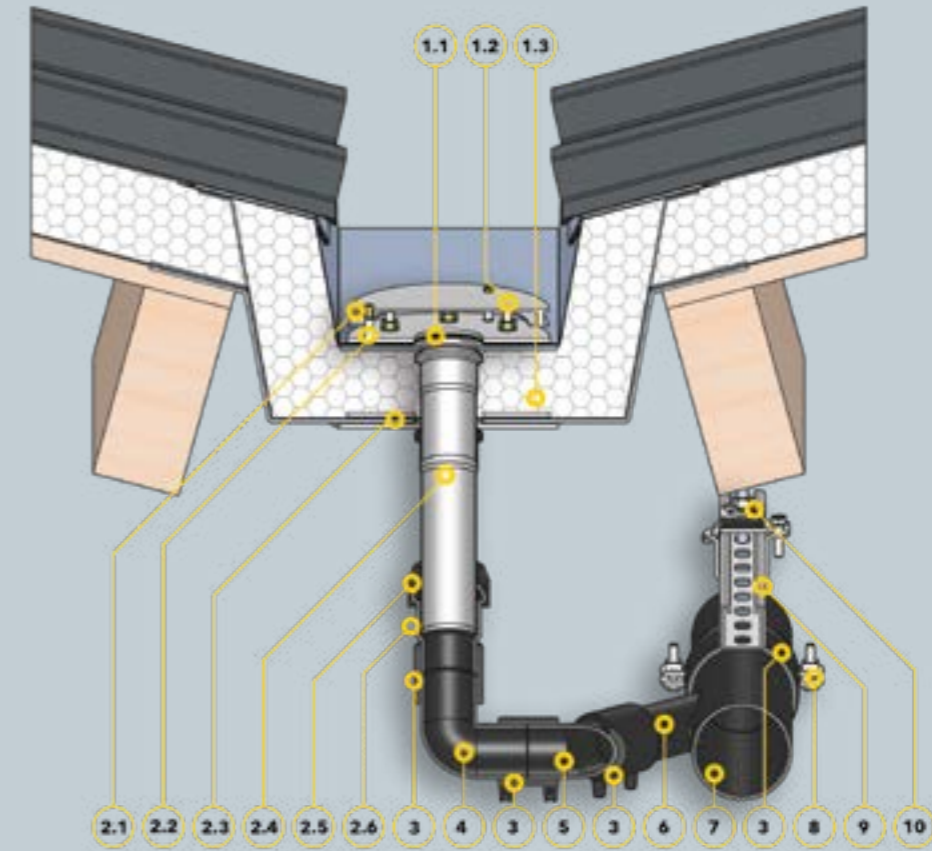
Roof structure

Non-ventilated roof structure to the general rules of engineering with:

- + Waterproof membrane
- + Thermal insulation
- + Vapour barrier
- + Substructure

SitaDSS Ravana

SitaDSS Ravana with SitaDSS Ravana extension unit in an internal gutter



Components

SitaDSS Ravana extension unit consisting of:

- 1.1 Base body
- 1.2 Washer, nuts and sealing sleeves
- 1.3 Loose flange

SitaDSS Ravana consisting of:

- 2.1 Airstop
- 2.2 Loose flange
- 2.3 Washers, nuts and sealing sleeves
- 2.4 Base body
- 2.5 Safety clamp
- 2.6 PE-HD plug-in coupler

3 SitaDSS PE electrofusion socket

4 SitaDSS PE bend 88.5°

5 SitaDSS PE bend 45°

6 SitaDSS PE branch

7 SitaDSS PE pipe system

8 SitaDSS Clamp fixing

9 SitaDSS Rail mounting rail

10 SitaDSS Rail suspension unit

Roof structure

Non-ventilated roof structure to the general rules of engineering with:

- + Roofing
- + Thermal insulation
- + Vapour barrier
- + Substructure

SitaDSS Ravana Plus Narrow but high capacity.



Click here for
the website!



- + For narrow gutters
- + For liquid applied waterproofing
- + Adhesive flange can be adjusted to the gutter geometry
- + With predrilled holes for fastening direct to the substructure



SitaDSS Ravana Plus
Liquid compound
vertical

SitaDSS Ravana Plus

Product features at a glance

Product features

Applications	For siphonic drainage to DIN EN 12056-3 and DIN 1986-100 for used and unused flat roofs and gutters
Material	Stainless steel
Design	Vertical
Temperature resistance, min.	-20 °C
Material class	Euroclass A1 /A1 non-flammable
Properties	<ul style="list-style-type: none"> + Not sensitive to the weather (UV/IR radiation, rain/snow, temperature, ozone, etc.) + Impact and shock resistant + Durable
Workmanship	<p>The general rules of engineering as well as the installation examples and installation instructions of Sita Bauelemente GmbH form the basis. The installation examples are for illustration purposes only and are a general, non-binding recommendation. The design is shown in schematic form only and does not replace the necessary work, detail and installation planning by the contractor. The customer, planner, contractor, etc. is responsible for checking the suitability, completeness and dimensions for the project and adjusting or tailoring the components to suit local requirements. Neighbouring works are shown in schematic form with no guarantee of their being complete or correct. The technical specifications in the information sheets, workmanship guidelines and system permits must be adhered to.</p>

Quality mark



SitaDSS Ravana Plus

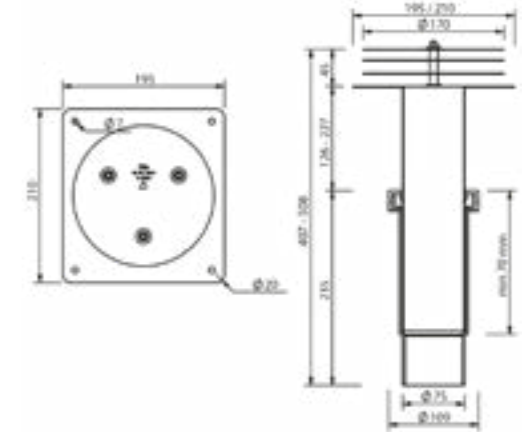
Liquid compound vertical



Tender text

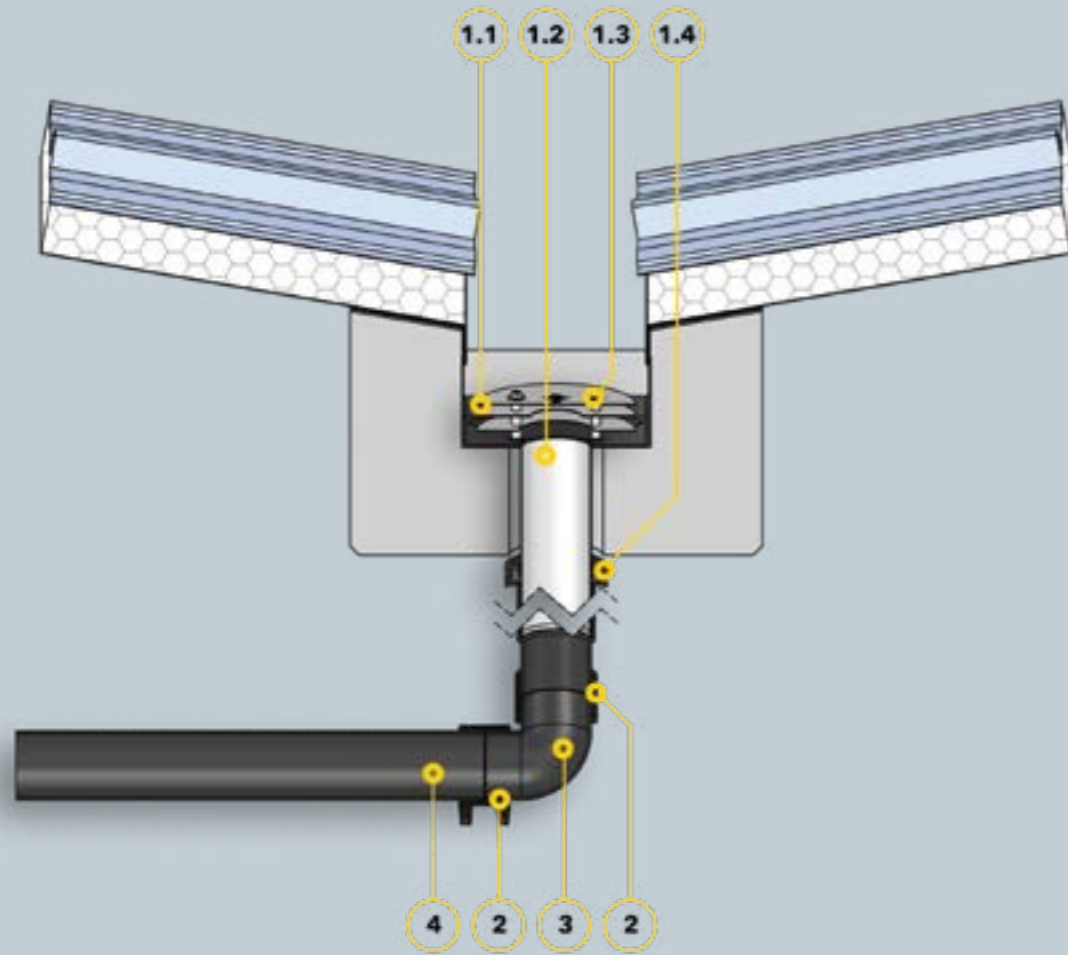
SitaDSS Ravana Plus, gutter rainwater outlet for siphonic drainage for liquid applied waterproofing, made of stainless steel, material No. 1.4301, to DIN EN 1253-2 with increased quality standard to RAL quality mark GZ-694, in size DN/OD 70/75, with an adapter consisting of a plug-in coupler DN 70 and an EPDM seal, suitable for electrofusion sockets, for direct connection to PE pipes to DIN EN 1519. With a discharge volume to DIN EN 1253-2:2015-03 of 29.8 l/s with a retaining height of 70 mm and full filling, with pre-drilled holes to secure the component in the substructure, with three threaded rods M6 x 55, washers and hexagon nuts, to hold the Airstop, including Airstop, supply and install to professional standards.

Technical drawing



Size DN	OD*	Opening/Core borehole (mm)	Article number
70	75	100	28 10 99

* OD = Outer diameter (mm)



Components

SitaDSS Ravana Plus consisting of:

- 1.1 Airstop
- 1.2 Base body
- 1.3 Mounting mandrel for Airstop, washers and fastening nuts
- 1.4 Expansion socket
- 2 SitaDSS PE electrofusion socket
- 3 SitaDSS PE bend
- 4 SitaDSS PE pipe

Roof structure

Roof structure with internal gutter to the general rules of engineering:

- + Sandwich element
- + Liquid-applied waterproofing compound
- + Substructure

SitaDSS Multi
Versatile performance.
Uniquely resistant.



- + Non-combustible
- + Loose/fixed flange construction
- + Matching insulating body made of foam glass available
- + One-piece or two-piece installation possible
- + Suitable for gutters



SitaDSS Multi
vertical
with Airstop



SitaDSS Multi
vertical
without Airstop



SitaDSS Multi
Screw-on flange
Extension unit



SitaDSS Multi
Retaining element



SitaDSS Multi
Insulating body for
rainwater outlet



SitaDSS Multi
Insulating body for
compensating ring



SitaDSS Multi
Insulating body for
extension element



SitaMore
Reinforcement plate



SitaMore
Pipe sleeve heating



SitaMulti
construction period
protective cover



SitaMore
Transition connector set



SitaDSS Multi
Connector set

SitaDSS Multi

Product features at a glance

Product features

Applications	For main and emergency drainage (siphonic drainage) to DIN EN 12056-3 and DIN 1986-100 for large used and unused flat roofs
Material	Cast iron
Design	Vertical
Temperature resistance, min.	-20 °C
Material class	Euroclass A1 /A1 non-flammable
Properties	<ul style="list-style-type: none"> + Not sensitive to the weather (UV/IR radiation, rain/snow, temperature, ozone, etc.) + Impact and shock resistant + Durable + Low noise + Universal for any seal
Workmanship	The general rules of engineering as well as the installation examples and installation instructions of Sita Bauelemente GmbH form the basis. The installation examples are for illustration purposes only and are a general, non-binding recommendation. The design is shown in schematic form only and does not replace the necessary work, detail and installation planning by the contractor. The customer, planner, contractor, etc. is responsible for checking the suitability, completeness and dimensions for the project and adjusting or tailoring the components to suit local requirements. Neighbouring works are shown in schematic form with no guarantee of their being complete or correct. The technical specifications in the information sheets, workmanship guidelines and system permits must be adhered to.

Quality mark



SitaDSS Multi

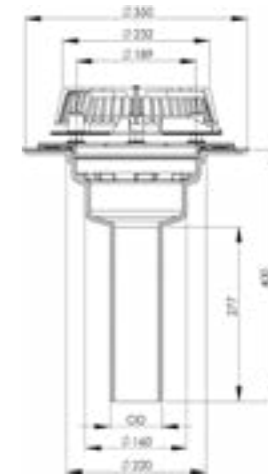
vertical with Airstop



Tender text

SitaDSS Multi siphonic drainage rainwater outlet, made of cast iron, material EN-GJL-200 to DIN EN 1253-2 with enhanced quality standard to RAL quality mark GZ-694, in sizes DN 80. For direct connection to SML pipes, for siphonic drainage, with boreholes to secure the roof outlet in the sub-structure, with loose flange with weepholes, two sealing sleeves, six inserted stainless steel threaded rods M12, washers, brass hexagon screws and caps for clamping bitumen, plastic or EPDM roofing membranes. Available with or without Airstop with dome grate, supply and install to professional standards.

Technical drawing



Size DN	OD*	Opening/Core borehole (mm)	Article number
80	83	250	42 03 99

* OD = Outer diameter (mm)

Discharge rate according in l/s to DIN EN 1253-2

Size DN	Retaining height in mm																				
	5	10	15	20	25	30	35	40	45	50	55	60	65	70	75	80	85	90	95	100	
80	0,5	1,6	2,6	3,5	4,4	6,9	9,4	13,6	17,7	21,2	24,7	24,7	24,7	24,7	24,7	24,7	24,7	24,7	24,7	24,7	24,7

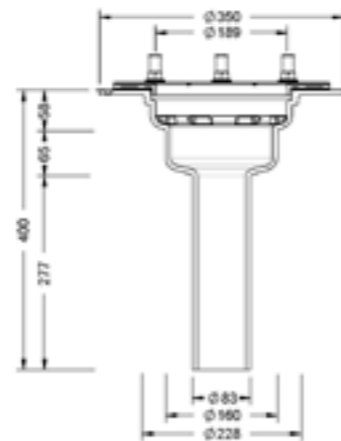
SitaDSS Multi vertical without Airstop



Tender text

SitaDSS Multi siphonic drainage rainwater outlet, made of cast iron, material EN-GJL-200, to DIN EN 1253-2, in size DN 80. For direct connection to SML pipes, for siphonic drainage, with drilled holes to secure the roof outlet in the substructure, with loose flange with weepholes, two sealing sleeves, six inserted stainless steel M12 threaded rods, washers, brass hexagon screws and caps, for clamping bitumen, plastic or EPDM roofing membranes. To be used in combination with the SitaDSS Multi retaining element only. Supply and install to professional standards.

Technical drawing



Size DN	OD*	Opening/Core borehole (mm)	Article number **
80	83	250	42 33 99

* OD = Outer diameter (mm)

** Without Airstop, to be used in combination with the SitaDSS Multi retaining element only for emergency drainage

Discharge rate according in l/s to DIN EN 1253-2

Size DN	Retaining height in mm																			
	5	10	15	20	25	30	35	40	45	50	55	60	65	70	75	80	85	90	95	100
80	0,5	1,6	2,6	3,5	4,4	6,9	9,4	13,6	17,7	21,2	24,7	24,7	24,7	24,7	24,7	24,7	24,7	24,7	24,7	24,7

SitaDSS Multi Screw-on flange Extension unit



Tender text

SitaDSS Multi extension unit, made of cast iron, material EN-GJL-200, to DIN EN 125-23 with enhanced quality standard to RAL quality mark GZ-694, for SitaDSS Multi roof outlet. With drilled holes to secure the extension unit in the sub-structure, with loose flange with weepholes, two sealing sleeves, six inserted stainless steel grub screws M12, washers, brass hexagon screws and caps, for clamping bitumen, plastic or EPDM roofing membranes. Complete including multi-lip angled sealing ring for backflow protection, supply and install to professional standards.

Technical drawing



Length (mm)	OD	Bridging of thermal insulation min. (mm)	Bridging of thermal insulation max. (mm)	Article number
400	110	80	300	42 27 99

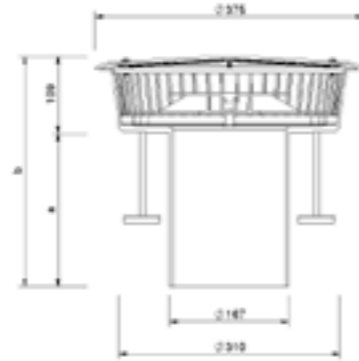
SitaDSS Multi Retaining element



Tender text

SitaDSS Multi retaining element, made of polyamide, to DIN EN 1253-2 with enhanced quality standard to RAL quality mark GZ-694, for SitaDSS Multi siphonic drainage rainwater outlet and extension units, for emergency drainage, for retaining heights of 35-105 mm, with multi-lip angled sealing ring to seal the retaining element against the roof outlet or extension unit. With three infinitely height-adjustable rubber-metal buffers, installation area per foot: 19.6 cm², with galvanised threaded rod M 8 mm x 90 mm, with bolted sealed cover which can be removed for inspection, housing with 51 surrounding lugs, in yellow signal colour. Retaining heights are infinitely adjustable, with large inlet pot to increase discharge capacity, supply and install to professional standards.

Technical drawing



Compatibility	a (mm)	b (mm)	Damming height from-to (mm)	Article number
SitaDSS Multi	115	223	35 - 105	12 90 01
	214	323	85 - 150	12 90 11
	214	323	135 - 200	12 90 12

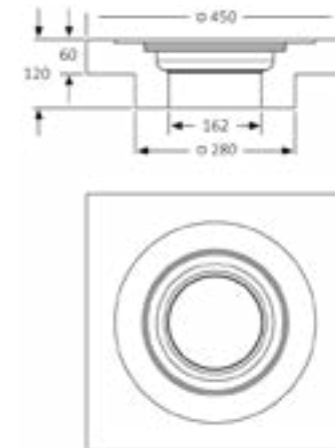
SitaDSS Multi Insulating body for rainwater outlet



Tender text

SitaDSS Multi insulating body for outlet, made of foam glass, WLG 050, height 120 mm. For thermal insulation of the SitaDSS Multi roof outlet in the concrete ceiling. Can be used as concealed formwork for concreting, supply and installation to professional standards.

Technical drawing



Article number
42 90 03

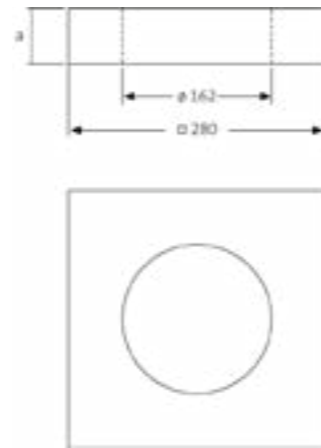
SitaDSS Multi Insulating body for compensating ring



Tender text

SitaDSS Multi compensating ring for insulating body for outlet, made of foam glass, WLG 050, 40 mm or 60 mm in height. To compensate concrete ceilings higher than 120 mm, supply and installation to professional standards.

Technical drawing



a (mm)	Article number
40	42 90 04
60	42 90 05

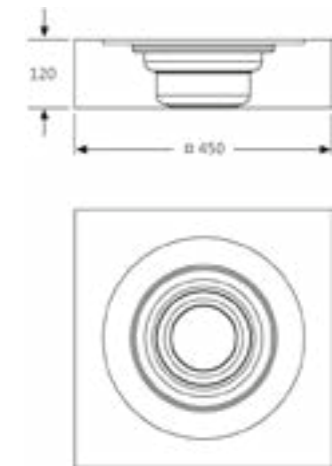
SitaDSS Multi Insulating body for extension element



Tender text

SitaDSS Multi insulating body for extension unit, made of foam glass, WLG 050, height 120 mm. For thermal insulation and to hold the extension unit, supply and installation to professional standards.

Technical drawing



Article number
42 90 06

SitaMore Reinforcement plate



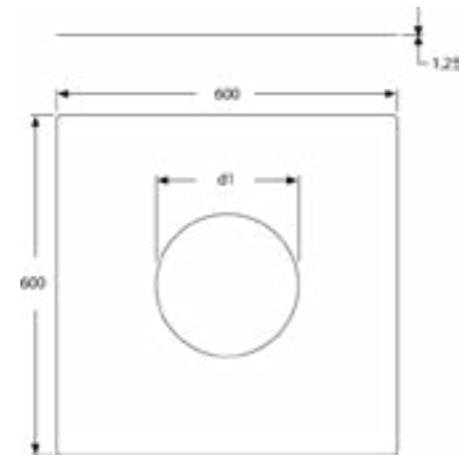
SitaMore Pipe sleeve heating



Tender text

SitaMore reinforcement plate, made of galvanised sheet steel, to reinforce small penetrations in the trapezoidal steel sheet, for SitaDSS Profi, SitaStandard, SitaTrendy, SitaTrendy screw-on flange, SitaVent system vent, SitaCompact, SitaMulti and SitaDSS, supply and install to professional standards.

Technical drawing

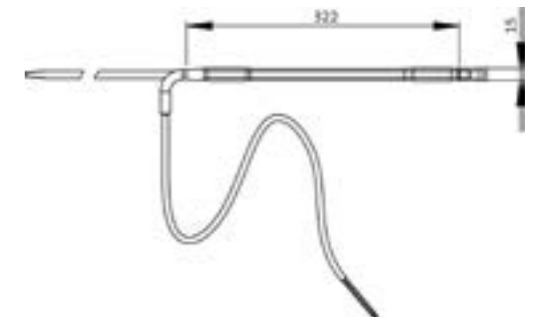


Compatibility	d1 (mm)	Article number
SitaCompact, SitaVent system vent DN 100	152	12 90 10
SitaStandard, SitaTrendy, SitaTrendy screw-on flange, SitaMulti, SitaDSS Profi, SitaDSS Multi, SitaVent system vent DN 150	250	10 90 00

Tender text

SitaMore pipe sleeve heating, for heating roof outlets and pipes, self-regulating PTC heating element with a heat rating of approx. 10 W at -20 °C and 230 V, with two cable ties for easy securing to pipes or roof outlets. No transformer required, supply and install to professional standards.

Technical drawing



Artikelnummer
10 90 35

SitaMulti

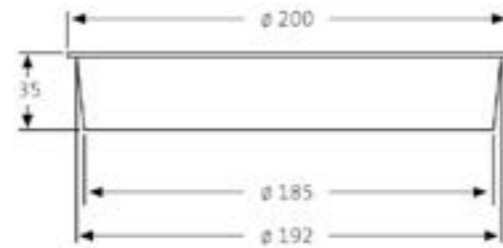
Construction period protective cover



Tender text

SitaMulti construction period protective cover, inserted in drain body, it prevents the ingress of items during the construction period. Supply complete and install to professional standards.

Technical drawing



Compatibility	Article number
SitaMulti, SitaDSS Multi	E 40 90 10

SitaMore

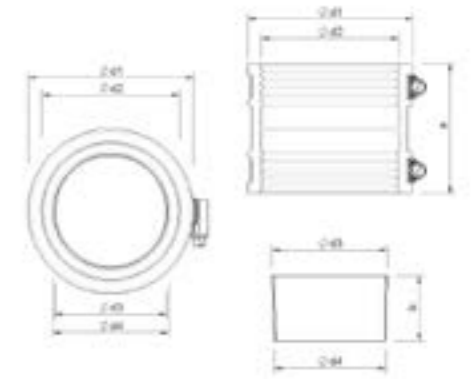
Transition connector set



Tender text

SitaMore transition connector set in size DN 75 made of TPE/V2A, in size DN 56 made of EDPM/V2A, including support ring made of rust-proof stainless steel, for the stable connection of PE and SML pipe and formed parts, supply and install to professional standards.

Technical drawing



Size DN	a (mm)	b (mm)	d1 (mm)	d2 (mm)	d3 (mm)	d4 (mm)	Article number
56	90	40	89	66	51	49	80 20 56 58
70	80		101	84	71	69	80 20 75 83

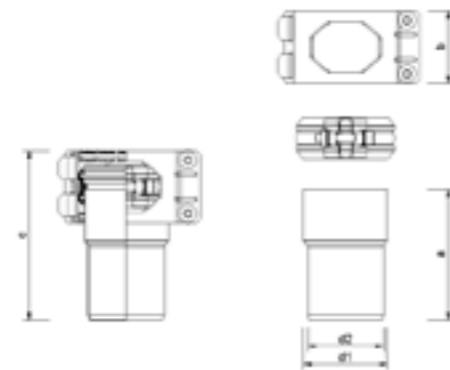
SitaDSS Multi Connector set



Tender text

SitaDSS Multi connector set DN 80, for the transition from SitaDSS Multi DN 80 to SitaPipe stainless steel pipe DN 70, consisting of an adapter made of rust-proof stainless steel, material number 1.4301, a Rapid connector and a retaining claw, supply and install to professional standards.

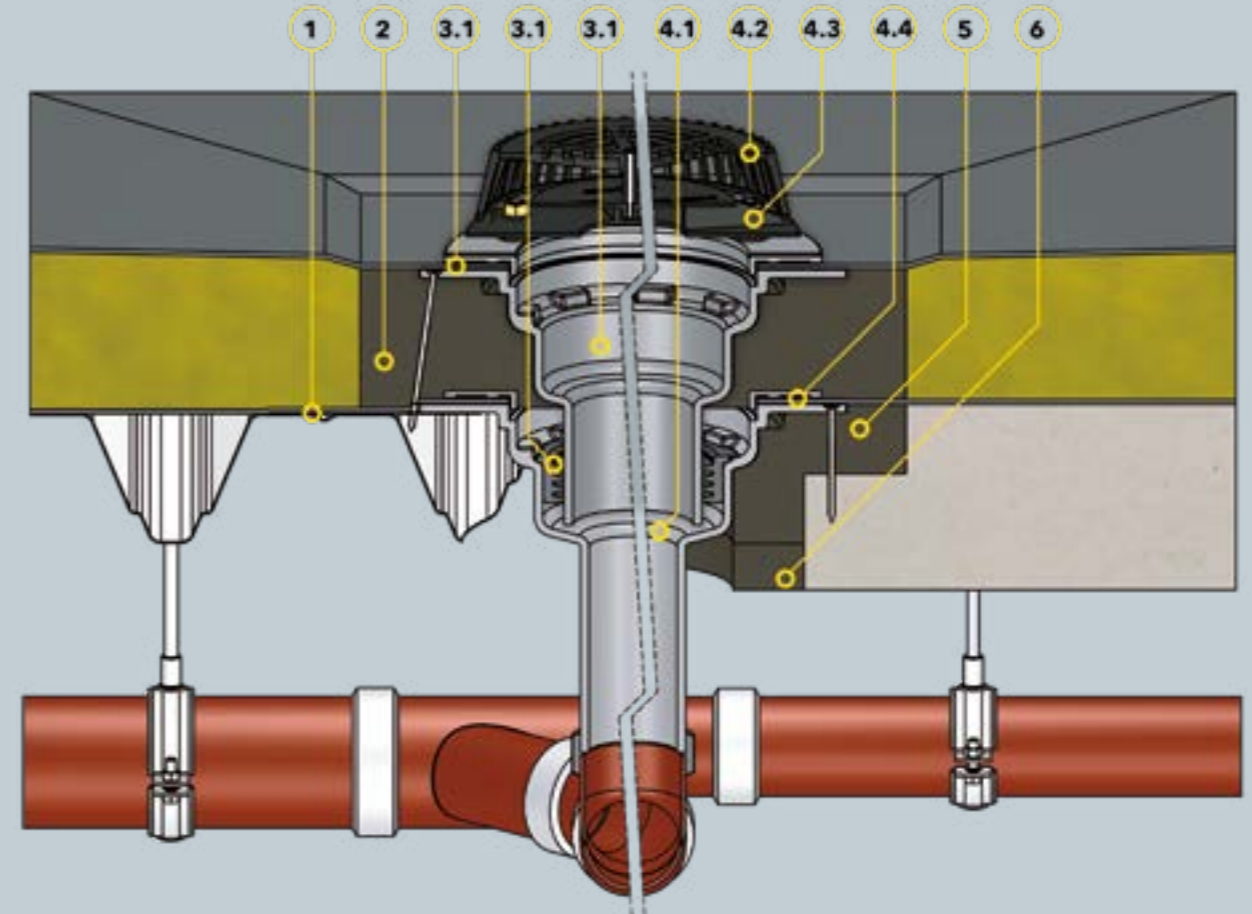
Technical drawing



Size DN	a (mm)	b (mm)	c (mm)	d1 (mm)	d2 (mm)	Article number
80	130	72	169	83	75	42 70 83

SitaDSS Multi

SitaDSS Multi in a non-ventilated roof structure



Components

- 1 SitaMore reinforcement plate for extension unit
- 2 SitaDSS Multi insulating body for extension unit
- SitaDSS Multi extension unit consisting of:**
- 3.1 Screw-on flange, nuts and sealing sleeves
- 3.2 Sealing ring
- 3.3 Base body

SitaDSS Multi consisting of:

- 4.1 Base body
- 4.2 Dome grate
- 4.3 Airstop
- 4.4 Screw-on flange, nuts and sealing sleeves
- 5 SitaDSS Multi insulating body for outlet
- 6 SitaDSS Multi compensating ring

Roof structure

Non-ventilated roof structure to the general rules of engineering with:

- + Waterproof membrane
- + Thermal insulation
- + Vapour barrier
- + Substructure

Connection sleeves for outlets with article end numbers.

For SitaStandard, SitaTrendy, SitaDSS Profi, SitaIndra, SitaDSS Indra, SitaVasant, SitaEasy, SitaEasy Plus, SitaCompact, SitaCompact Near*4, SitaCarport, SitaMini*3, SitaSani*, SitaFireguard®, SitaDSS Fireguard®, SitaVent Fireguard® and SitaVent

Sleeves from the series production

Product-/Trade name	Art. No. end number	Type	Manufacturer
Bitumen	00*1	Elastomerbitumen	
PVC soft	10	PVC - light grey	
Fluid	90	for liquid plastic seal (Order-related production lead-time approx: 5 working days ex works.)	

Sleeves from the series production

Order-related production lead-time approx: 5 working days ex works.

Surcharge see current price list

Product-/Trade name	Art. No. end number	Type	Manufacturer
Alkorplan F35276	49	PVC - medium grey	Renolit AG
Alkortec®	05	EVA - dark grey	
Alkortop® F	41	TPO - sand	
Armourplan G	45	PVC - medium grey	IKO Polymeric
Atlantic EC12 single ply	63	TPO/TPE - dark grey	Bailey Roofing Systems
Atlantic EC16 single ply	64	TPO/TPE - light grey	
Evalastic V	22*1	EPDM - light grey	Alwitra GmbH
Evalon V	25*1	EVA - white	
Evalon V	37*1	EVA - hellgrau	
Evalon V	50*1	EVA - slate grey	
EverGuard	77	FPO - light grey	
Extrapol F	32*1	FPO - light grey	Schedetal Folien GmbH
Elevate UltraPly	42	TPO/FPO - grey	Holcim Solutions and Products EMEA BV
Elevate UltraPly	54	TPO/FPO - white	
Flagon EP-S	31	FPO - sand grey	SOPREMA GmbH
Flagon EP	73	FPO - basalt grey	
Flagon SR	66	PVC - light grey	
Hertalan Easy Weld	07	EPDM - black	Carlisle Construction Materials GmbH
Köster ECB 2.0 F	72*1	ECB - black	Köster Bauchemie AG
Köster TPO 2.0 F	48*1	TPE - light grey	
Mapeplan D 15	06	PVC - light grey	Mapei GmbH (DE)
Mapeplan-T	04	FPO - light grey	
Polyfin 4020 v	16*1	FPO - light grey	Polyfin AG
Protan D	80	PVC soft - dark grey	Protan Deutschland GmbH
Resitrix CL	01*2	EPDM - black	Carlisle Construction Materials GmbH
Rhepanol HG 18	34	PIB - grey	FDT Flachdachtechnologie GmbH & Co. KG
Sarnafil®-TG 66-15	24	FPO - beige	Sika GmbH
Sarnafil®-TG 66-15	76	FPO - grey	
Sikaplan® 15G	09	PVC - light grey	
Sintofoil RG FR	0104	TPO - light grey	GEORG BÖRNER GmbH & Co. KG
Sintofoil ST	57	TPO - light grey	GEORG BÖRNER GmbH & Co. KG
Spectraplan SG	46	TPE - grey	IKO Polymeric
Tectofin RV plus	0105*1	ASA-PVC-P - grey	BMI Wolfin Bautechnik
Thermofin F15	02	FPO - silver grey	Paul Bauder GmbH & Co. KG
Thermofol U15	52	PVC - anthrazit	
Thermoplan TL 15	29	FPO - pearl white	
VAEPLAN F	35	EVA - grey	VAEPLAN GmbH
Wolfin IB	20	PVC-PBV - black	BMI Wolfin Bautechnik

Surcharge see current price list

NovoProof joining technology	84	EPDM - black	CQLT SaarGummi Deutschland GmbH
Thermobond R	75	EPDM - black	Sealeco GmbH

Surcharge see current price list

Elevate Quickseam SA Flashing	03	EPDM - black	Holcim Solutions and Products EMEA BV
-------------------------------	----	--------------	---------------------------------------

Surcharge see current price list

Hertalan with joining technology	82	EPDM - black	Carlisle Construction Materials GmbH
----------------------------------	----	--------------	--------------------------------------

Connection sleeves for outlets with article end numbers.

For SitaTurbo and SitaTurbo Max.

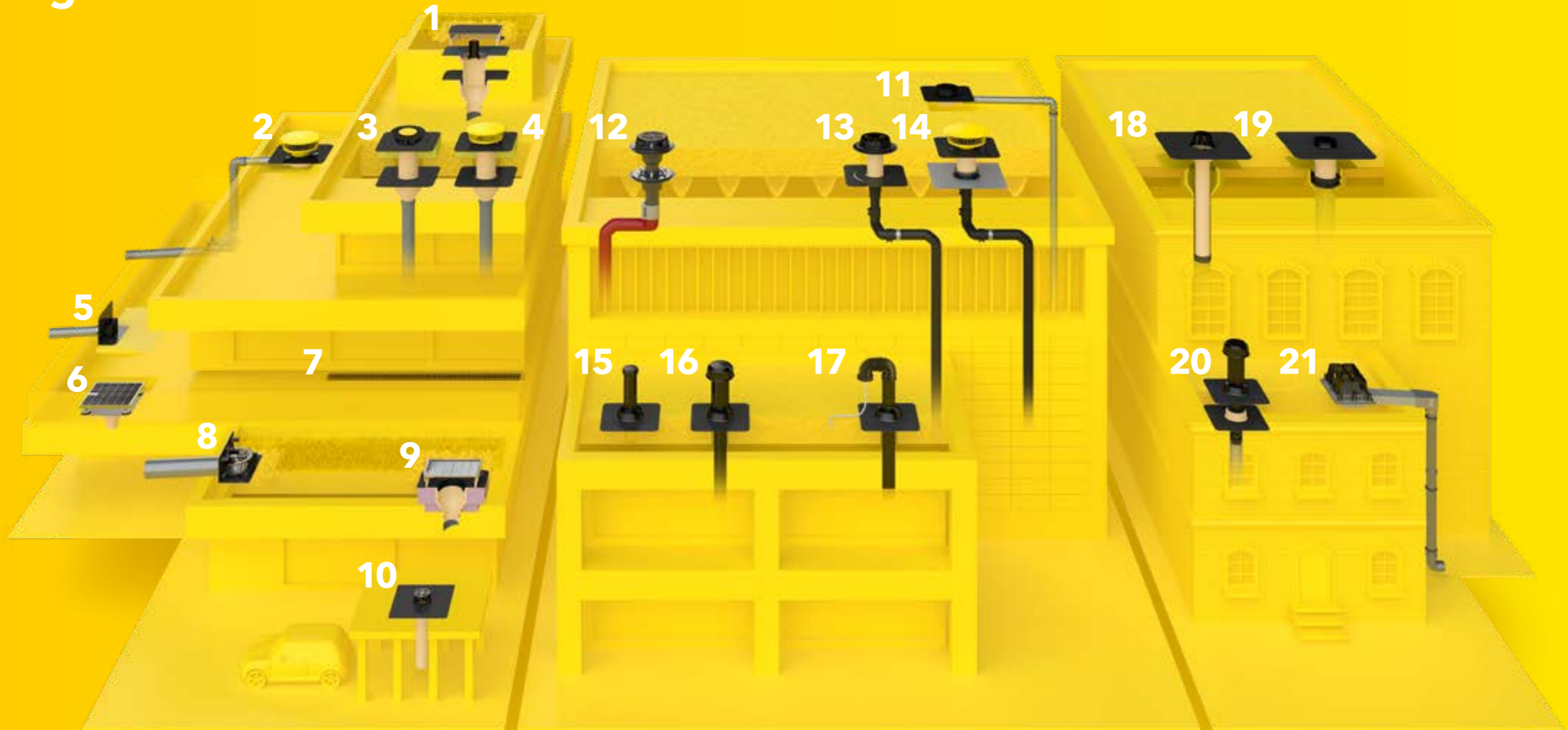
Sleeves from the series production

Order-related production lead-time approx: 5 working days ex works.

Surcharge see current price list

Product-/Trade name	Art. No. end number	Type	Manufacturer
Bitumenunterlage	70	Elastomerbitumen	
Bitumenoberlage	71	Polymerbitumen	
Alkorplan F35276	49	PVC - medium grey	Renolit AG
Alkortec®	05	EVA - dark grey	
Alkortop® F	41	TPO - sand	
Armourplan G	45	PVC - medium grey	IKO Polymeric
Atlantic EC12 single ply	63	TPO/TPE - dark grey	Bailey Roofing Systems
Atlantic EC16 single ply	64	TPO/TPE - light grey	
Evalastic	87	EPDM - light grey	Alwitra GmbH
Evalon	88	EVA - white	
Evalon	85	EVA - light grey	
Evalon	0102	EVA - slate grey	
EverGuard	77	FPO - light grey	
Extrapol M 1.8	0100	FPO - lichtgrau	Schedetal Folien GmbH
Elevate UltraPly	42	TPO/FPO - grey	Holcim Solutions and Products EMEA BV
Elevate UltraPly	54	TPO/FPO - white	
Flagon EP-S	31	FPO - sand grey	SOPREMA GmbH
Flagon EP	73	FPO - basalt grey	
Flagon SR	66	PVC - light grey	
Hertalan Easy Weld	07	EPDM - black	Carlisle Construction Materials GmbH
Köster ECB 2.0	0103	ECB - black	Köster Bauchemie AG
Köster TPO 2.0	0101	TPE - light grey	
Mapeplan D 15	06	PVC - light grey	Mapei GmbH (DE)
Mapeplan-T	04	FPO - light grey	
O.C. Plan 3020	89	ECB - black	Polyfin AG
Polyfin 3020	86	FPO - light grey	
PVC soft	10	PVC - light grey	Paul Bauder GmbH & Co. KG
Protan D	80	PVC soft - dark grey	Protan Deutschland GmbH
Resitrix CL	01	EPDM - black	Carlisle Construction Materials GmbH
Rhepanol HG 18	34	PIB - grey	FDT Flachdachtechnologie GmbH & Co. KG
Sarnafil®-TG 66-15	24	FPO - beige	Sika GmbH
Sarnafil®-TG 66-15	76	FPO - grey	
Sikaplan® 15G	09	PVC - light grey	
Sintofoil RG FR	0104	TPO - light grey	GEORG BÖRNER GmbH & Co. KG
Sintofoil ST	57	TPO - light grey	GEORG BÖRNER GmbH & Co. KG
Spectraplan SG	46	TPE - grey	IKO Polymeric
Tectofin RG	18	ASA-PVC-P - grey	BMI Wolfin Bautechnik
Thermofin F15	02	FPO - silver grey	Paul Bauder GmbH & Co. KG
Thermofol U15	52	PVC - anthrazit	
Thermoplan TL 15	29	FPO - pearl white	
VAEPLAN F	35	EVA - grey	VAEPLAN GmbH
Wolfin IB	20	PVC-PBV - black	BMI Wolfin Bautechnik

Superbly served - with the Sita product range.



- | | | | | |
|--|--|---|---|--|
| 1 SitaRetention green roof shaft with SitaRetention Fix | 5 SitaEasy | 11 SitaDSS Indra main drainage set | 16 SitaVent system vent with SitaVent condensation deflector | 20 SitaVent refurbishment vent with SitaVent base plate |
| 2 SitaKaskade Inside with SitaDSS Indra emergency drainage set and SitaPipe stainless steel pipe system | 6 SitaDrain® Terra with SitaCompact | 12 SitaDSS Multi with SitaDSS Multi extension unit | 17 SitaVent pipe bent with pipe fairlead | 21 SitaTurbo loose retention valve |
| 3 SitaStandard with SitaStandard extension unit and insulating body in use for the extension unit | 7 SitaDrain® box drain with footbridge | 13 SitaDSS Profi with SitaDSS Profi extension unit | 18 SitaSani® drainage into the existing pipe system | |
| 4 SitaStandard with SitaStandard extension unit and SitaMore retaining element | 8 SitaRondo | 14 SitaDSS Fireguard® with retaining element | 19 SitaSani® drainage into the existing roof outlet | |
| | 9 SitaGreen roof shaft with SitaTrendy and SitaTrendy insulating body | 15 SitaVent Revision | | |
| | 10 SitaCarport | | | |

Sita:

1 Award-winning.

Sita - meets the standards

Standard ISO 9001 defines the requirements for a company's certifiable quality management system. The required properties of the products and services are regularly monitored by a certified company to satisfy quality -related customer requirements.



Standard ISO 14001 defines the requirements for a company's certifiable environmental management system. The fulfilment of environmental objectives and their continuous improvement are monitored and evaluated.

Sita - among the 100 most innovative companies

The TOP 100 has been recognising the most innovative medium-sized German companies for the last 25 years. Sita was added to the list in 2017 - including for its excellent knowledge of technical requirements and its permanent exchange with dealers, roofers and architects.



3 Supports standards.

Sita is a member of the IFBS

The Industrial Federation for Construction Systems in Lightweight Steel assures the quality standards of large components and drafts technical rules and regulations.



Compliance with regulations: Sita and DIN

As a DIN member, Sita can network efficiently with other experts. That enables Sita to support the well-proven system of standardisation and at the same time to give its input - for future standards strategies.



Sita and the RAL quality mark

A guarantee of top quality and safety: RAL product certification is voluntary for Sita and goes beyond the statutory requirements. It is a legally binding decision-making aid for architects, craftsmen and developers.



Other Sita quality documents:



2 Product-tested.

Tested safety by TÜV

Certification by TÜV Rheinland LGA Products GmbH is a procedure which Sita Bauelemente GmbH undertakes on a voluntary basis. It provides you with the guarantee that Sita products comply with the requirements of DIN EN 1253 and are regularly monitored by an independent institution.



Regulated by the Ü mark

Roof outlets are manufactured in accordance with DIN EN 1253-2 and treated as regulated building products under Building Regulations List A Part 1. Its applicability must be confirmed in the compliance verification required for this purpose - why Sita bears the compliance mark (Ü mark).



New 6-year assurance: ZVDH material guarantee

Sita has lodged a comprehensive guarantee for almost all its products via the ZVDH. This provides registered companies not only with compensation in the event of damage but also the assurance of the reimbursement of the removal, installation and, if necessary, scaffolding set-up costs.



4 Protects the environment.

Interseroh Climate Protection Certificate

Sita is one of the companies protecting the climate by its good example: Recycling transport packaging helps to prevent millions of tonnes of greenhouse gases and recover valuable resources.



Sita uses green electricity

The electricity Sita purchases comes from systems which generate electricity from renewable sources.



Our free calculation service.

**Do you need planning security?
We can provide advice and help.
And we make it very easy for you.**

Our experts calculate your main and emergency drainage in compliance with the standards, based on the data of your roof area. Giving us the location of your project enables us to include precise rainfall data in the calculation. That gives you an accurate result calculated easily and exclusive for exactly your project - personal and precise. Simply complete our online form and send it to us.

If you have any questions,
feel free to give us a call:
+44 (0) 7402239777



**Sita advice provided
the security
I needed at all
phases of planning
and construction.**

Sita direct. Contacts.

Export
Manager



Export Manager
Udo Happe
Ferdinand-Braun-Straße 1
D-33378 Rheda-Wiedenbrück
T +49 2522 8340-178
M +49 173 6588061
E u.happe@sita-baelemente.de

Sales
Department
Export



Sarah Möller
Ferdinand-Braun-Straße 1
D-33378 Rheda-Wiedenbrück
T +49 2522 8340-149
E s.moeller@sita-baelemente.de

Internal Sales Conventional Drainage
F +49 2522 8340-140
E vertrieb@sita-baelemente.de

Superbly advice - with the Sita full package.

From individual calculations for your project,
complete personal project support and
advice - until time of installation and beyond:
that is genuine Sita product and service quality.

Advice

We share our expertise.
Always there for you - plan
and build without worry.

Full support from installation
advice to 24-hour delivery.
Sita contacts are always there
for you - it only takes a phone call.

Product

The right product for
every situation.

Our extensive full range can
be combined in various ways,
ensuring you are prepared
for every situation.

Calculation

We factor in every
eventuality. That creates
safety and a good feeling.

Planning safety in every respect.
Use our free Sita calculation service.

Sita product segments:

CD

Conventional
drainage

BT

Balcony and
terrace drainage

FP

Fire
protection

SD

Siphonic
drainage

D

Drainage

P

Pipe

ED

Emergency
drainage

GR

Green roof
and retention

PD

Parapet
drainage

R

Refurbishment

K

Kaskade

V

Ventilation and
pipe fairlead

Sita Bauelemente GmbH
Ferdinand-Braun-Straße 1
33378 Rheda-Wiedenbrück
T +49 2522 8340-0
E info@sita-bauelemente.de
W sita-bauelemente.de

